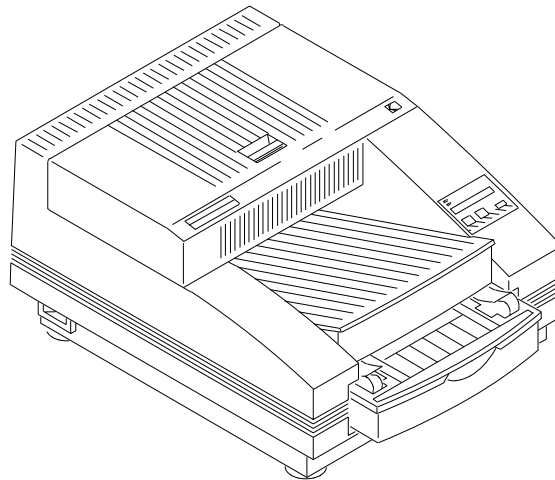


**ILLUSTRATED PARTS LIST**  
for the  
***Kodak Professional 8670 PS THERMAL PRINTER***  
**Service Code: 3179**  
***Kodak PICTURE MAKER PS4 PRINTER***  
**Service Code: 2913**  
and the  
***Kodak Image Magic EI 8651 DIGITAL COLOR PRINTER***  
**Service Code: 2677**



A087\_2013AC



GLOBAL CUSTOMER SERVICE AND SUPPORT

---

**PLEASE NOTE** The information contained herein is based on the experience and knowledge relating to the subject matter gained by Eastman Kodak Company prior to publication.

No patent license is granted by this information.

Eastman Kodak Company reserves the right to change this information without notice, and makes no warranty, express or implied, with respect to this information. Kodak shall not be liable for any loss or damage, including consequential or special damages, resulting from any use of this information, even if loss or damage is caused by Kodak's negligence or other fault.



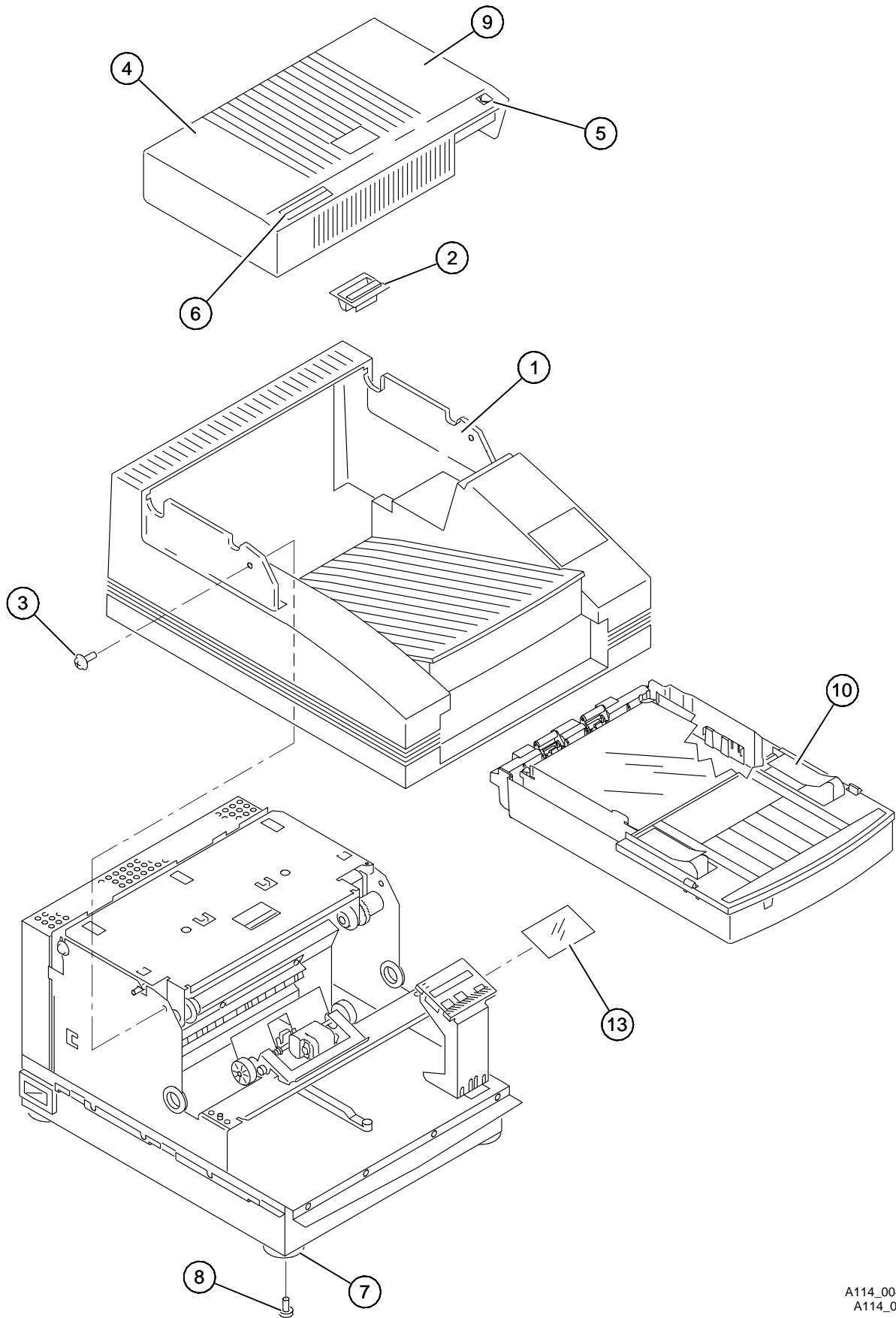
This equipment includes parts and assemblies sensitive to damage from electrostatic discharge. Use caution to prevent damage during all service procedures.

# Section 1: Parts List

## Table of Contents

Description	Page
Parts List .....	3
ENCASEMENT .....	4
ADJUSTABLE PICKER AY .....	6
TRAY GUIDE.....	7
TRAY TYPE SENSOR - 8670 and EI 8651.....	8
ROLLER AY with GEAR GUARD .....	9
SENSOR BRACKETS .....	10
PINCH MOTOR and GEARS.....	11
CAPSTAN ROLLER SHAFT/KICKER BANDS .....	12
CONTROLLER ENCLOSURE AND DRAWER AY .....	13
LCD DISPLAY PANEL.....	14
MOTOR BRACKET AY .....	15
DONOR SUPPLY BRACKET.....	16
FAN BRACKET AY.....	17
THERMAL HEAD LIFT SHAFT AY .....	18
THERMAL HEAD LIFT SENSOR .....	19
DOOR SPRINGS/DOOR LATCH SHAFT AY.....	20
DOOR INTERLOCK SWITCH .....	21
DOOR AY.....	22
CONTROLLER BD .....	23
CONTROLLER BD/EPROMS - PS4 and 8670 .....	24
CONTROLLER BD/EPROMS - EI 8651.....	25
THERMAL HEAD POWER CABLE .....	26
THERMAL HEAD .....	27
INTERFACE CABLE.....	28
POWER SUPPLY.....	29
DRAWER FAN.....	30
POWER SWITCH and PLUG .....	31
BASE ENCLOSURE AY .....	32
FEE 4640 BD .....	33
FEE BD/PRO K B BD .....	34
Numerical Index .....	35
Alphabetical Index .....	39

Figure 1 ENCASUREMENT



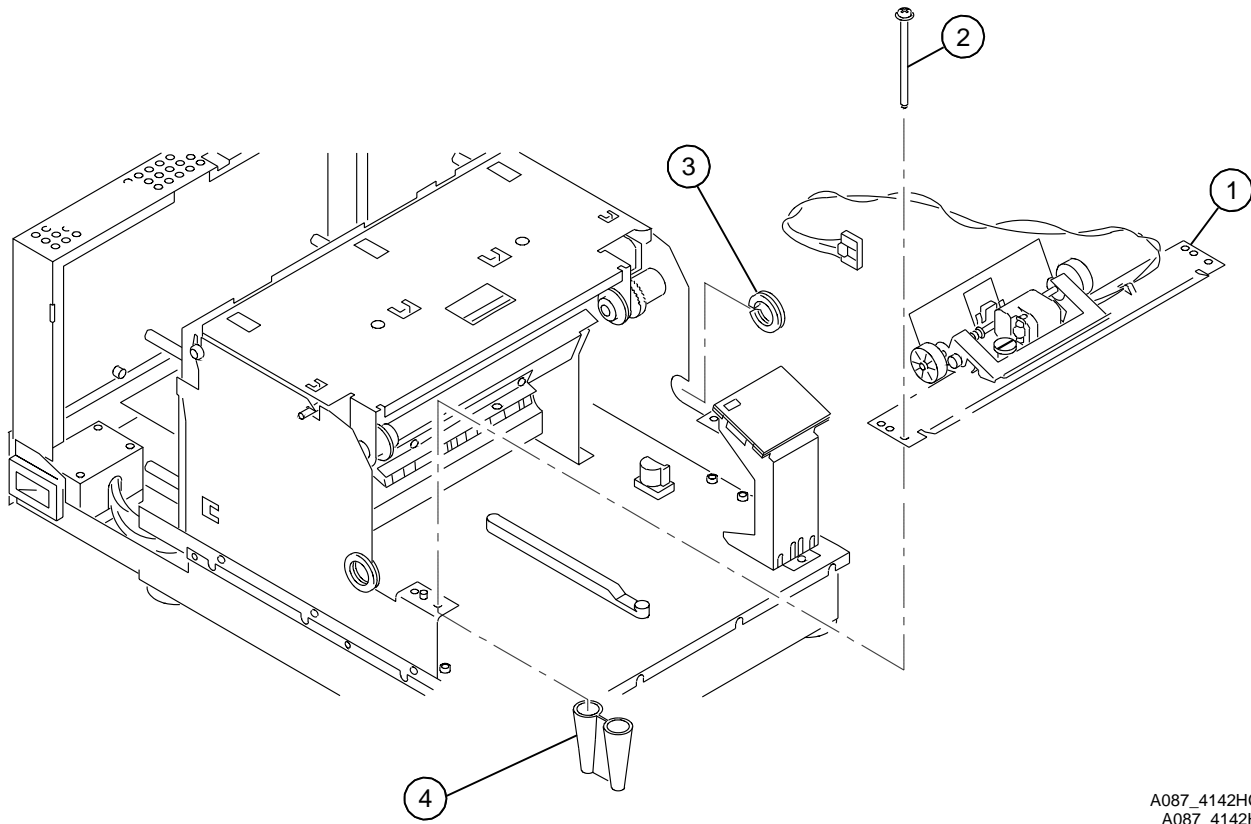
A114\_0049ECA  
A114\_0049EC

Figure 1 ENCASEMENT

Item	Part No.	Description	Qty.
1	5B5457	ENCASEMENT	1
2	3B0707	DOOR LATCH	1
3	988346	BASE ENCASEMENT SCREW	2
4	173599	<i>Phillips</i> HEAD SCREW - not visible in graphic	2
5	719486	CORPORATE SYMBOL	1
6	6C1862	NAMEPLATE LABEL - PS4	1
6	2H2652	NAMEPLATE LABEL - 8670	1
6	2H2669	NAMEPLATE LABEL - EI 8651	1
7	941338	PRINTER FOOT	4
8	251526	SCREW	4
9	3B0055	DOOR COVER*	1
10	8B9559	8.5 IN. TRAY - PS4	1
10	2H2680	A, 8.5 IN. ADJUSTABLE TRAY - 8670 and EI 8651	1
10	2H2660	A4, 8.27 IN. ADJUSTABLE TRAY - 8670 and EI 8651	1
10	2H2679	9.5 x 14 IN. TRAY - 8670 and EI 8651	1
11	5B4693	EXIT TRAY COVER- not visible in graphic	1
12	5B4692	POLYESTER NIGHTTIME COVER - not visible in graphic	1
13	4B0262	DISPLAY COVER - PS4	1

\* You must also order items 5 and 6.

Figure 2 ADJUSTABLE PICKER AY

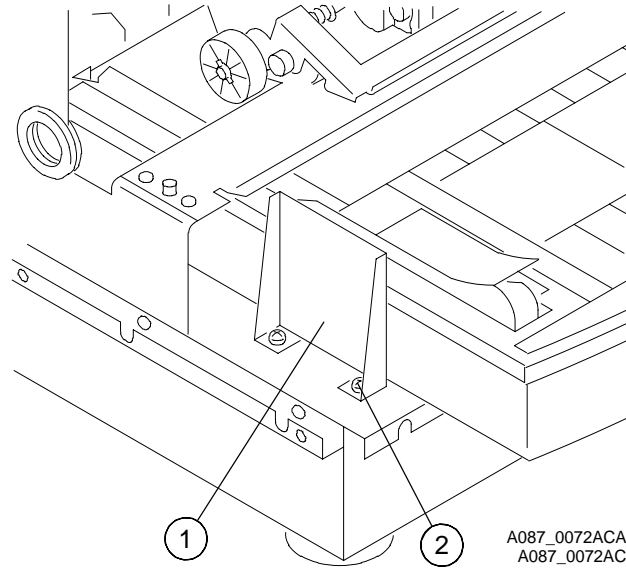


A087\_4142HCA  
A087\_4142HC

Figure 2

Item	Part No.	Description	Qty.
1	6C1866	PICKER AY - PS4 and 8670	1
1	2H2687	PICKER AY - EI 8651	1
2	6C1943	Torx SCREW	4
3	258878	GROMMET	2
4	5B5721	PICKER SUPPORT	2
5	5B5910	PICKER WHEEL CLEANING KIT- not visible in graphic	1

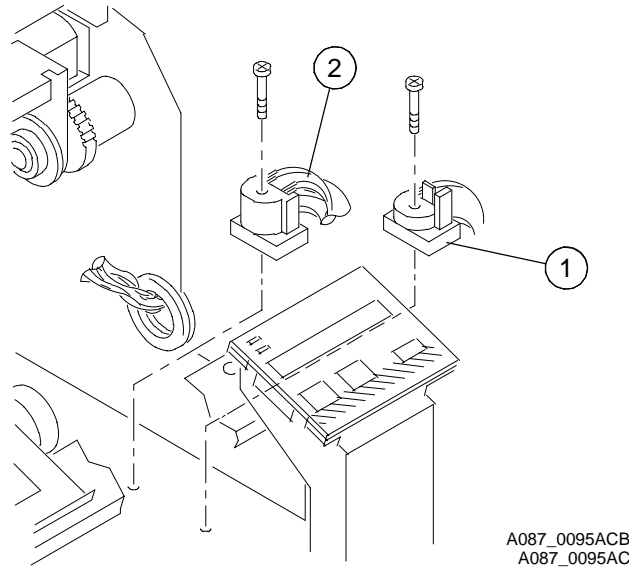
**Figure 3 TRAY GUIDE**



**Figure 3**

Item	Part No.	Description	Qty.
1	941617	TRAY GUIDE	1
2	6C1912	<i>Torx</i> SCREW	2

**Figure 4 TRAY TYPE SENSOR - 8670 and EI 8651**

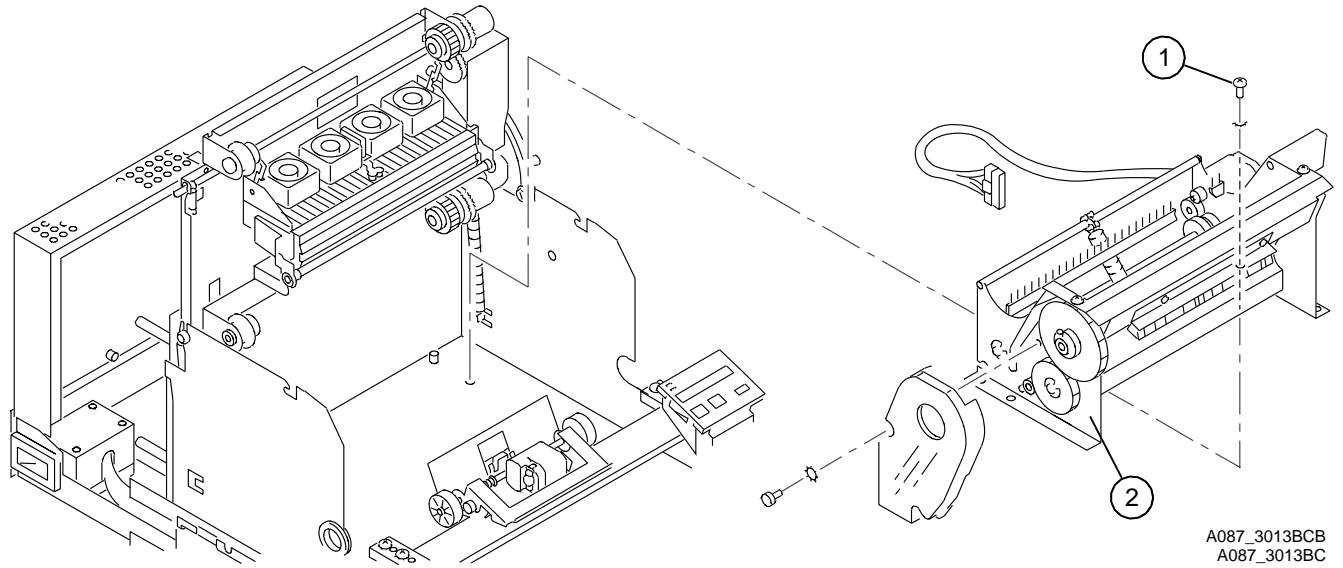


**Figure 4**

Item	Part No.	Description	Qty.
1	3B0273	TRAY TYPE SENSOR AY KIT - includes SCREW, TRAY SENSOR MOUNT, SPACER, TRAY TYPE SENSOR, and HARNESS	1
2	988368	TRAY TYPE SENSOR AY KIT - includes SCREW, TRAY SENSOR MOUNT, SPACER, TRAY TYPE SENSOR, and HARNESS	1



**Figure 5 ROLLER AY with GEAR GUARD**

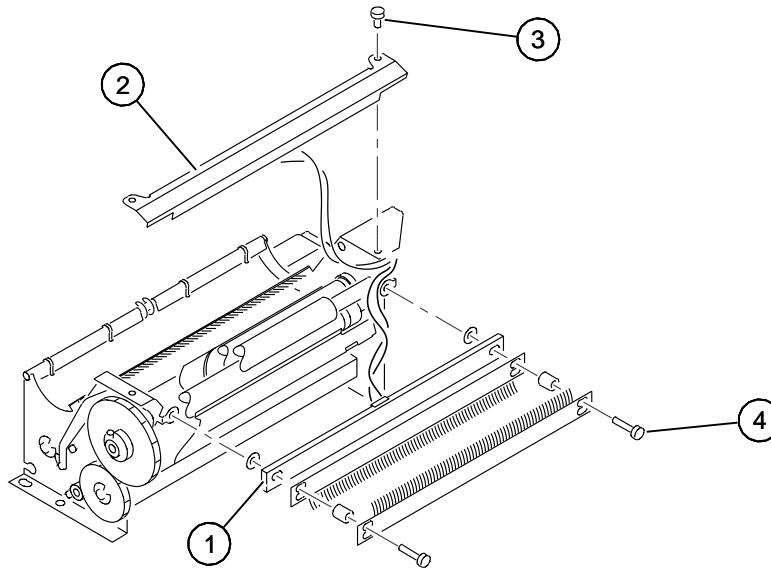


**Figure 5**

Item	Part No.	Description	Qty.
1	6C1912	Torx SCREW	5
2	6C1865	ROLLER AY with GEAR GUARD*	1

\* Return part.

Figure 6 SENSOR BRACKETS

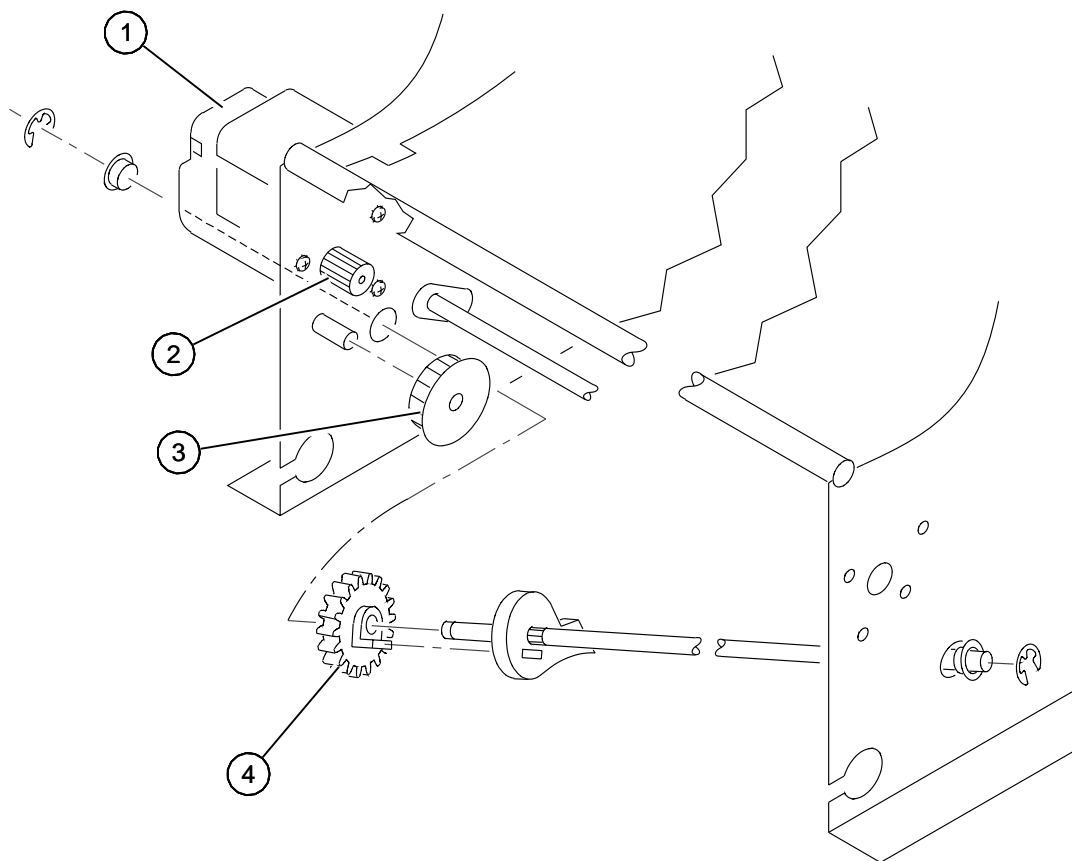


A087\_0303BCA  
A087\_0303BC

Figure 6

Item	Part No.	Description	Qty.
1	961486	LEAD EDGE SENSOR BRACKET	1
2	4B0243	DONOR SENSOR BRACKET	1
3	173599	<i>Phillips</i> HEAD SCREW	2
4	166667	SCREW	2

Figure 7 PINCH MOTOR and GEARS

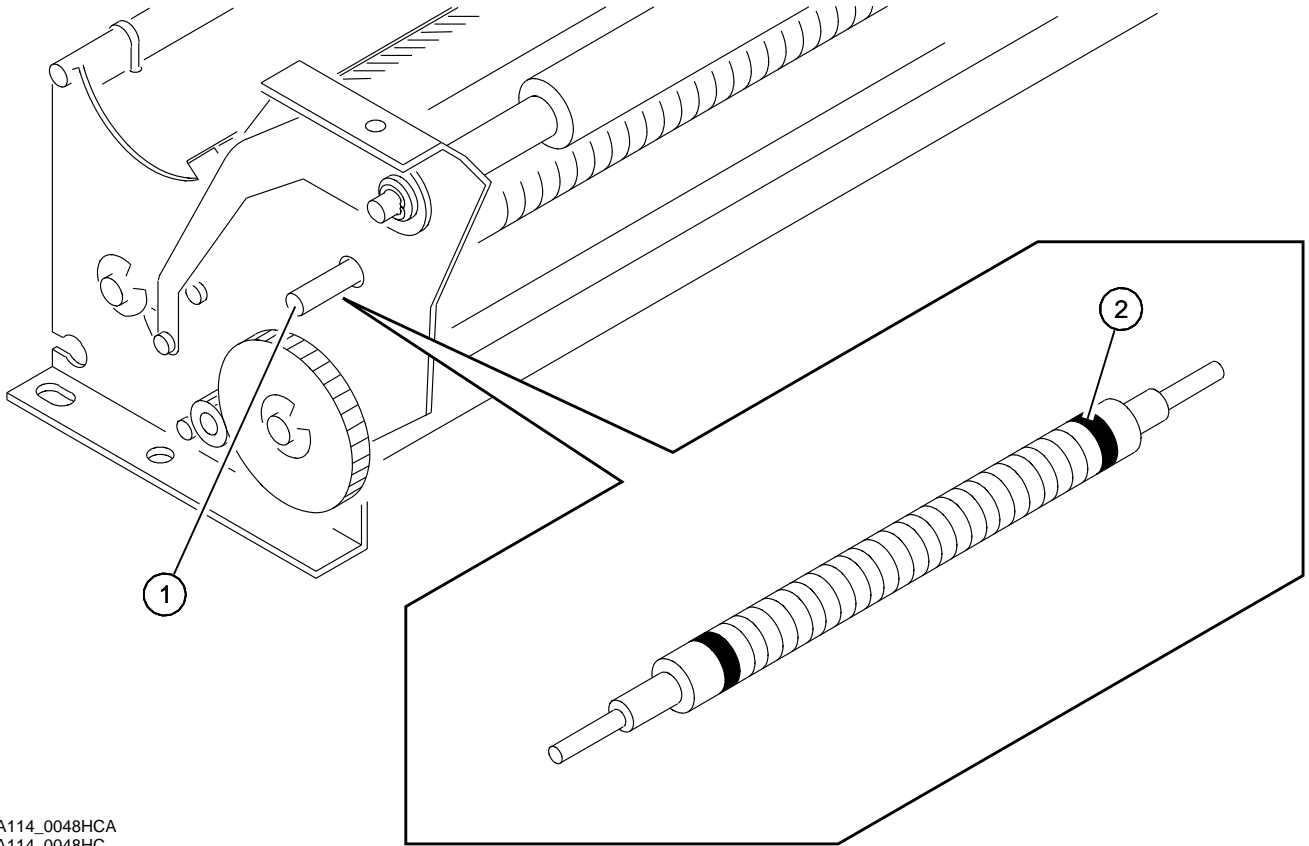


A114\_0056HCA  
A114\_0056HC

Figure 7

Item	Part No.	Description	Qty.
1	6C1949	PINCH MOTOR	1
2	3B0200	PINCH MOTOR GEAR	1
3	941502	IDLER GEAR	1
4	941557	CAM GEAR	1

**Figure 8 CAPSTAN ROLLER SHAFT/KICKER BANDS**

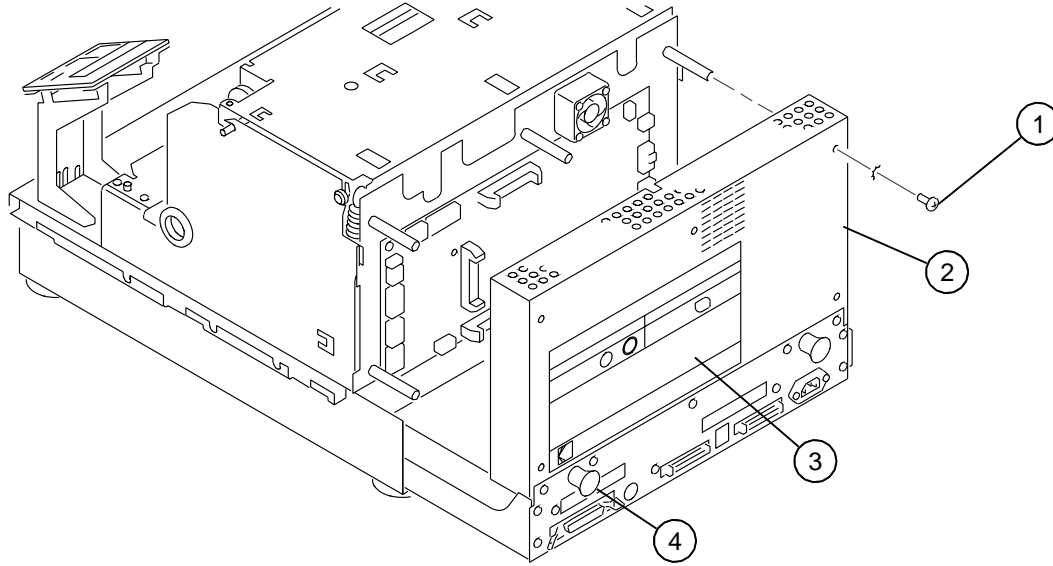


A114\_0048HCA  
A114\_0048HC

**Figure 8**

Item	Part No.	Description	Qty.
1	988549	CAPSTAN ROLLER SHAFT	1
2	941490	KICKER BAND	2

**Figure 9 CONTROLLER ENCLOSURE AND DRAWER AY**

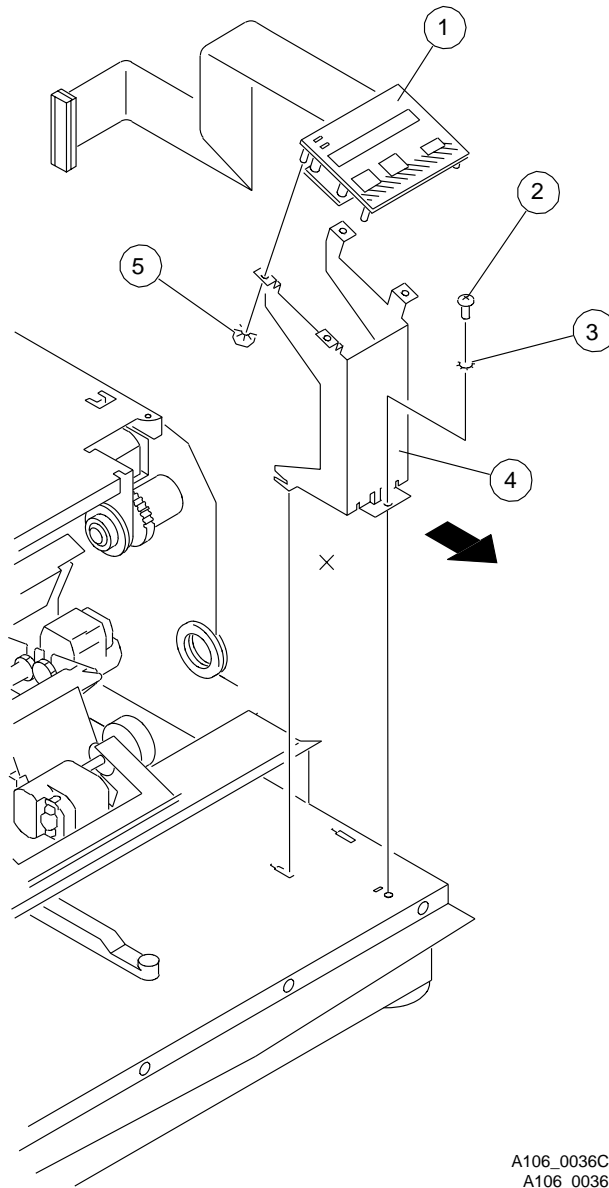


A106\_0029BCA  
A106\_0029BC

**Figure 9**

Item	Part No.	Description	Qty.
1	6C1913	<i>Torx</i> SCREW	5
2	3B0466	CONTROLLER ENCLOSURE AND DRAWER AY	1
3	6C1863	DATAPLATE - PS4	1
3	2H2651	DATAPLATE - 8670	1
3	2H2668	DATAPLATE - EI 8651	1
4	941626	KNOB	2

Figure 10 LCD DISPLAY PANEL



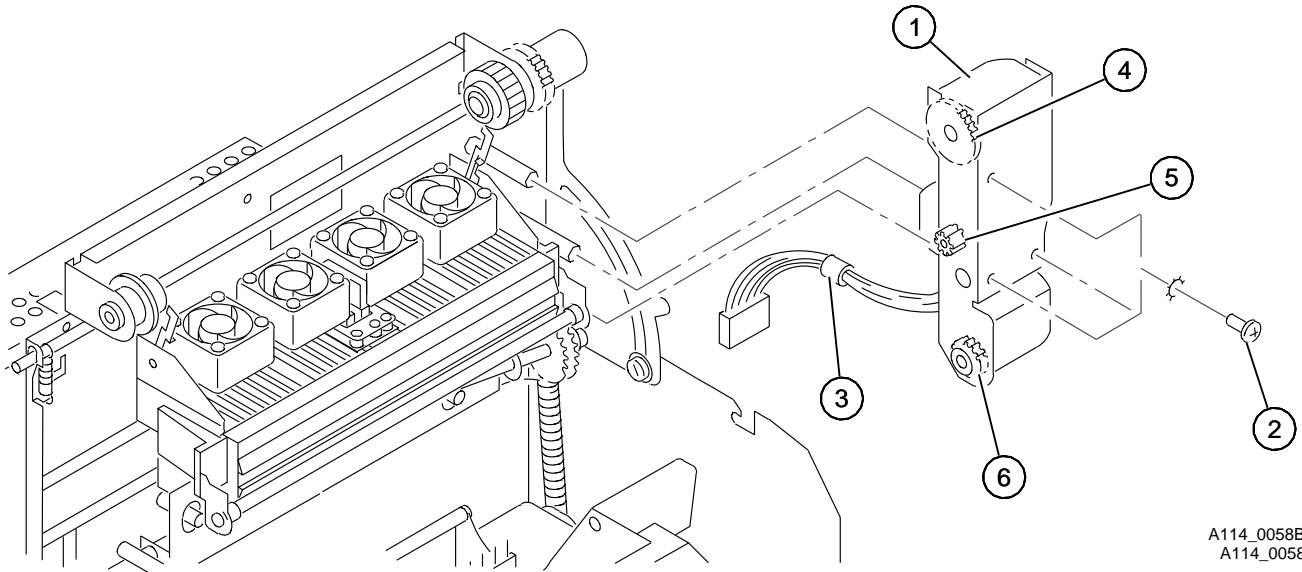
A106\_0036CCA  
A106\_0036CC

Figure 10

Item	Part No.	Description	Qty.
1	941363	LCD DISPLAY PANEL*	1
2	6C1774	Torx SCREW	1
3	042874	WASHER	1
4	3B1254	LCD DISPLAY PANEL BRACKET	1
5	609904	NUT	4

\* Return part.

Figure 11 MOTOR BRACKET AY



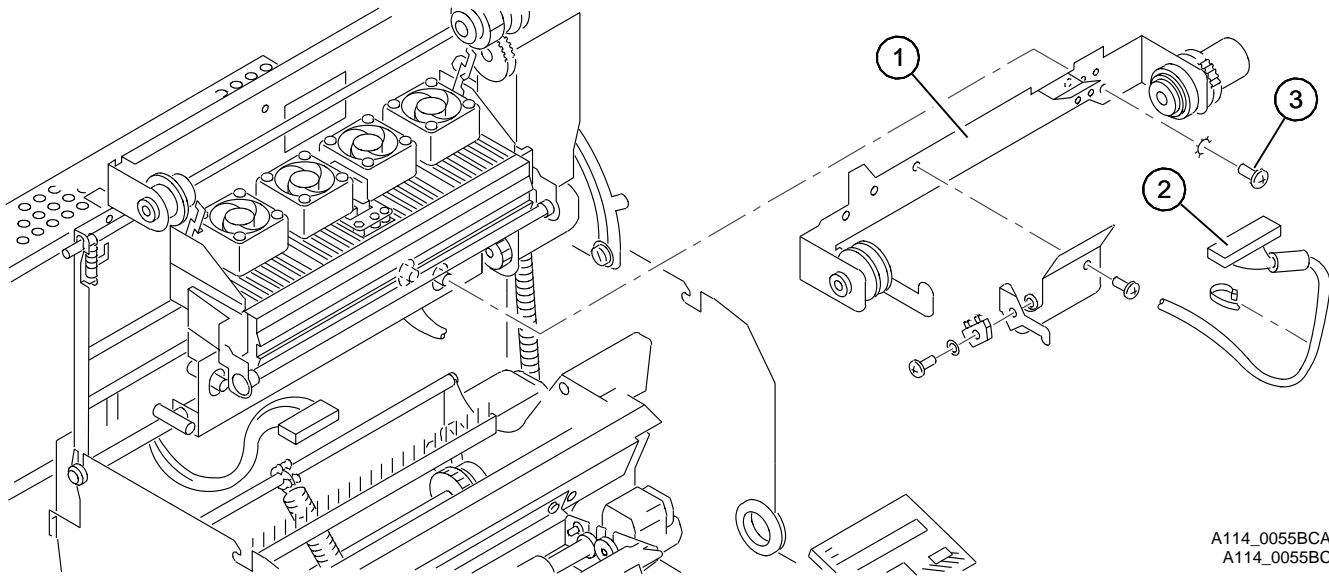
A114\_0058BCA  
A114\_0058BC

Figure 11

Item	Part No.	Description	Qty.
1	3B0726	MOTOR BRACKET AY*	1
2	6C1911	Torx SCREW	3
3	921332	FERRITE BEAD	1
4	941594	TAKE-UP GEAR	1
5	951595	DRIVE GEAR	1
6	941574	SUPPLY GEAR	1

\* Return part.

Figure 12 DONOR SUPPLY BRACKET



A114\_0055BCA  
A114\_0055BC

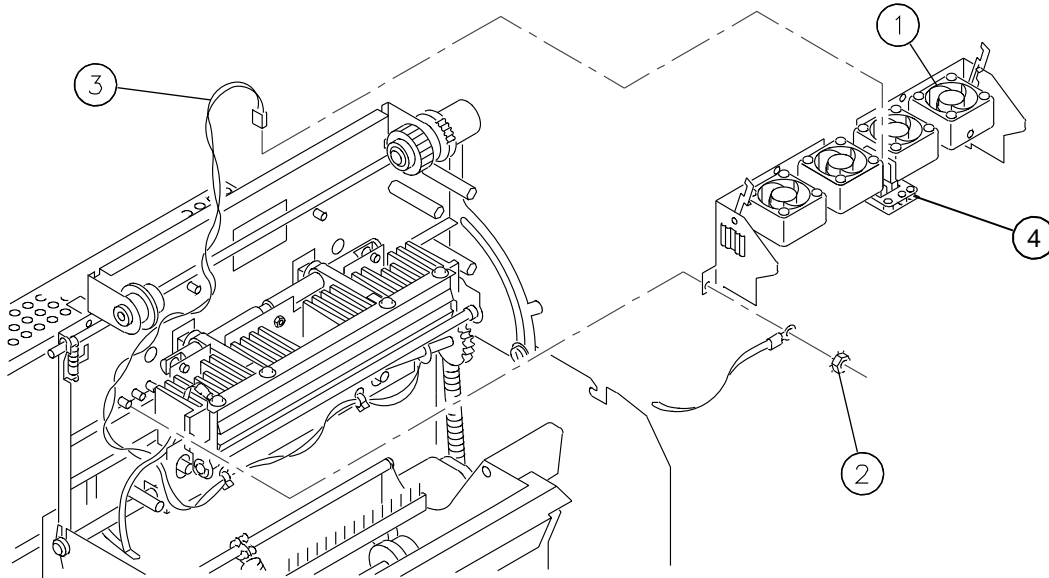
Figure 12

Item	Part No.	Description	Qty.
1	2H2691	DONOR SUPPLY BRACKET - PS4 and 8670 - includes SUPPLY SPINDLE AY and HARDWARE, DONOR SUPPLY CLUTCH SPINDLE AY and HARDWARE, THERMAL HEAD DATA CABLE, THERMAL HEAD DATA CABLE BRACKET, BAR CODE SENSOR and BD*	1
1	2H3304	DONOR SUPPLY BRACKET - EI 8651 - includes SUPPLY SPINDLE AY and HARDWARE, DONOR SUPPLY CLUTCH SPINDLE AY and HARDWARE, THERMAL HEAD DATA CABLE, THERMAL HEAD DATA CABLE BRACKET, BAR CODE SENSOR and BD*	1
2	4B1344	THERMAL HEAD DATA CABLE - EI 8651	1
2	7C4067	THERMAL HEAD DATA CABLE - PS4 and 8670	1
3	6C1911	Torx SCREW	4

\* Return part.



**Figure 13 FAN BRACKET AY**



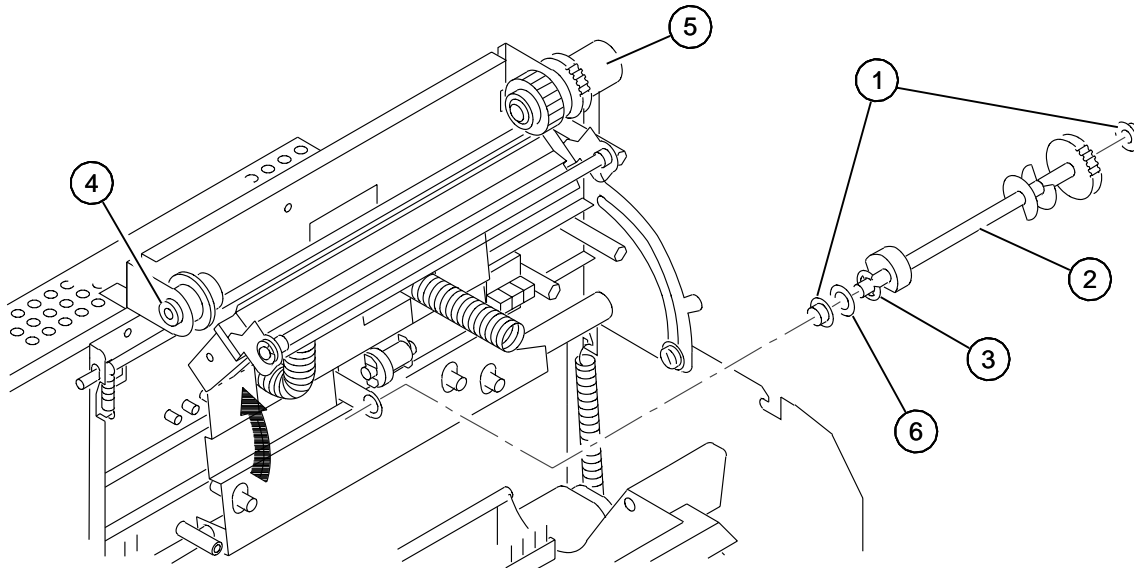
A087\_0016BCB  
A087\_0016BC

**Figure 13**

Item	Part No.	Description	Qty.
1	7C3762	FAN BRACKET AY - includes 4 FANS, DONOR EMITTER BD, and THERMAL HEAD RAMP BRACKET*	1
2	609904	NUT	4
3	988535	CABLE	1
4	7C3759	BLUE/GREEN LED BD	1

\* Return part.

Figure 14 THERMAL HEAD LIFT SHAFT AY

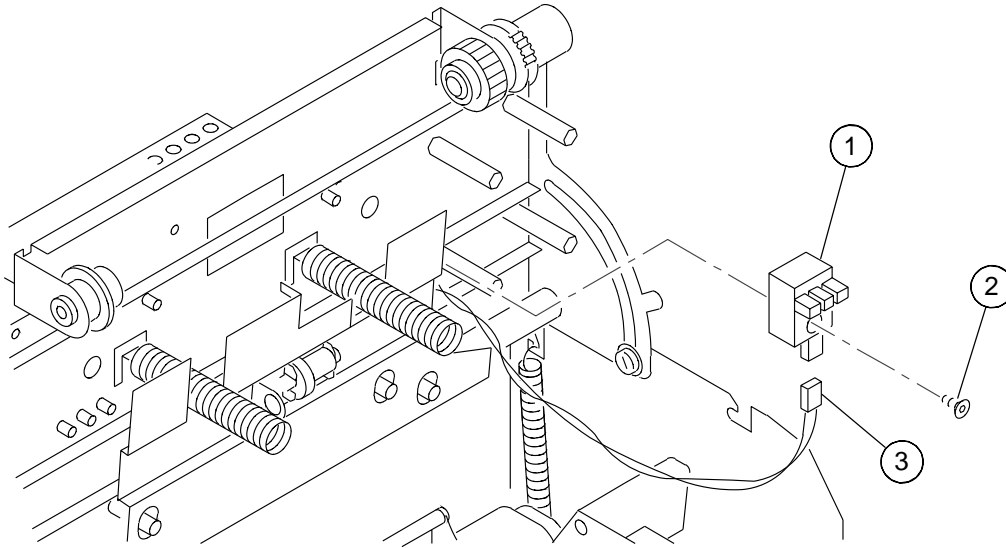


A114\_0054BCA  
A114\_0054BC

Figure 14

Item	Part No.	Description	Qty.
1	3B0212	THERMAL HEAD LIFT SHAFT BUSHING	2
2	4B0230	THERMAL HEAD LIFT SHAFT AY	1
3	149878	E-RING	1
4	988371	TAKE-UP SPINDLE AY KIT - includes TAKE-UP SPINDLE, SPRING, WASHER, and SHAFT	1
5	4B0713	TAKE-UP CLUTCH KIT - includes the TAKE-UP SPINDLE, SCREW, and CLUTCH	1
6	3B0249	CAM WASHER	1

**Figure 15 THERMAL HEAD LIFT SENSOR**

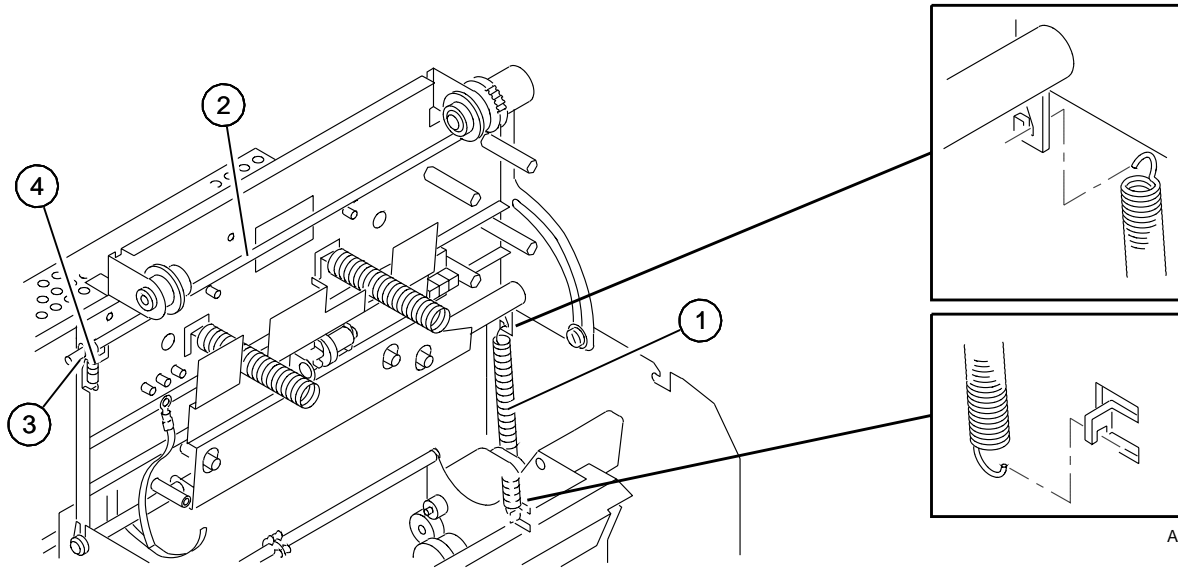


A087\_0019BCB  
A087\_0019BC

**Figure 15**

Item	Part No.	Description	Qty.
1	941401	THERMAL HEAD LIFT SENSOR	1
2	3C0672	<i>Torx</i> SCREW	1
3	3B0299	THERMAL HEAD LIFT SENSOR CABLE	1

Figure 16 DOOR SPRINGS/DOOR LATCH SHAFT AY

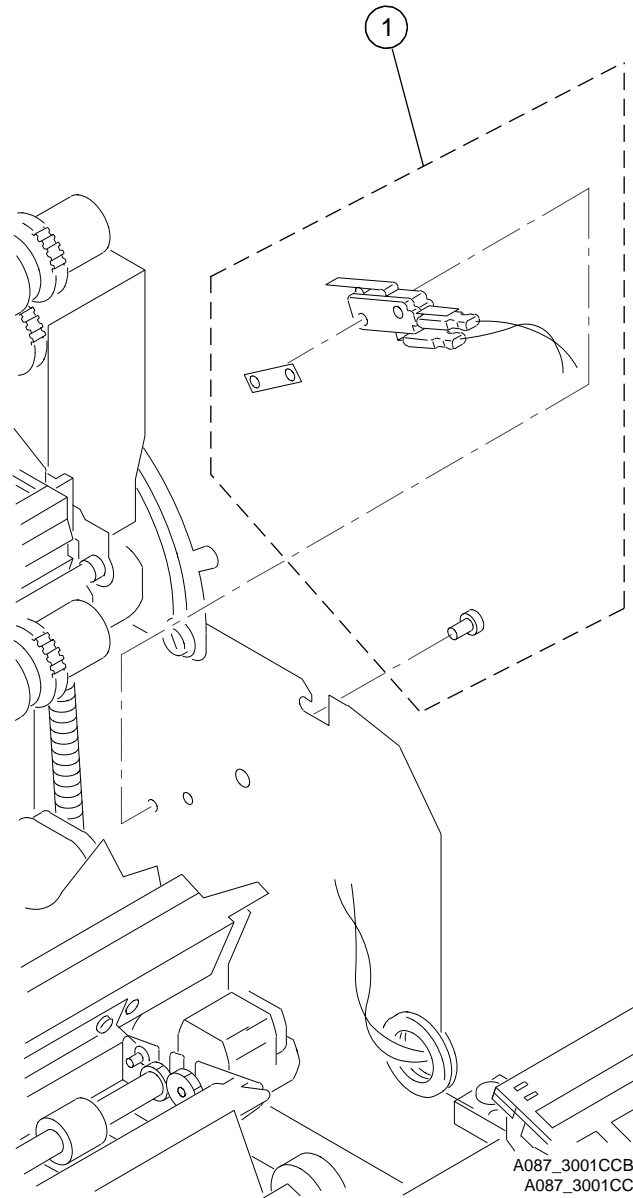


A114\_0053BCA  
A114\_0053BC

Figure 16

Item	Part No.	Description	Qty.
1	941379	DOOR SPRING	2
2	941384	DOOR LATCH SHAFT AY - includes items 3 and 4	1
3	794221	E-RING - not visible in graphic	2
4	253099	SHAFT SPRING	2

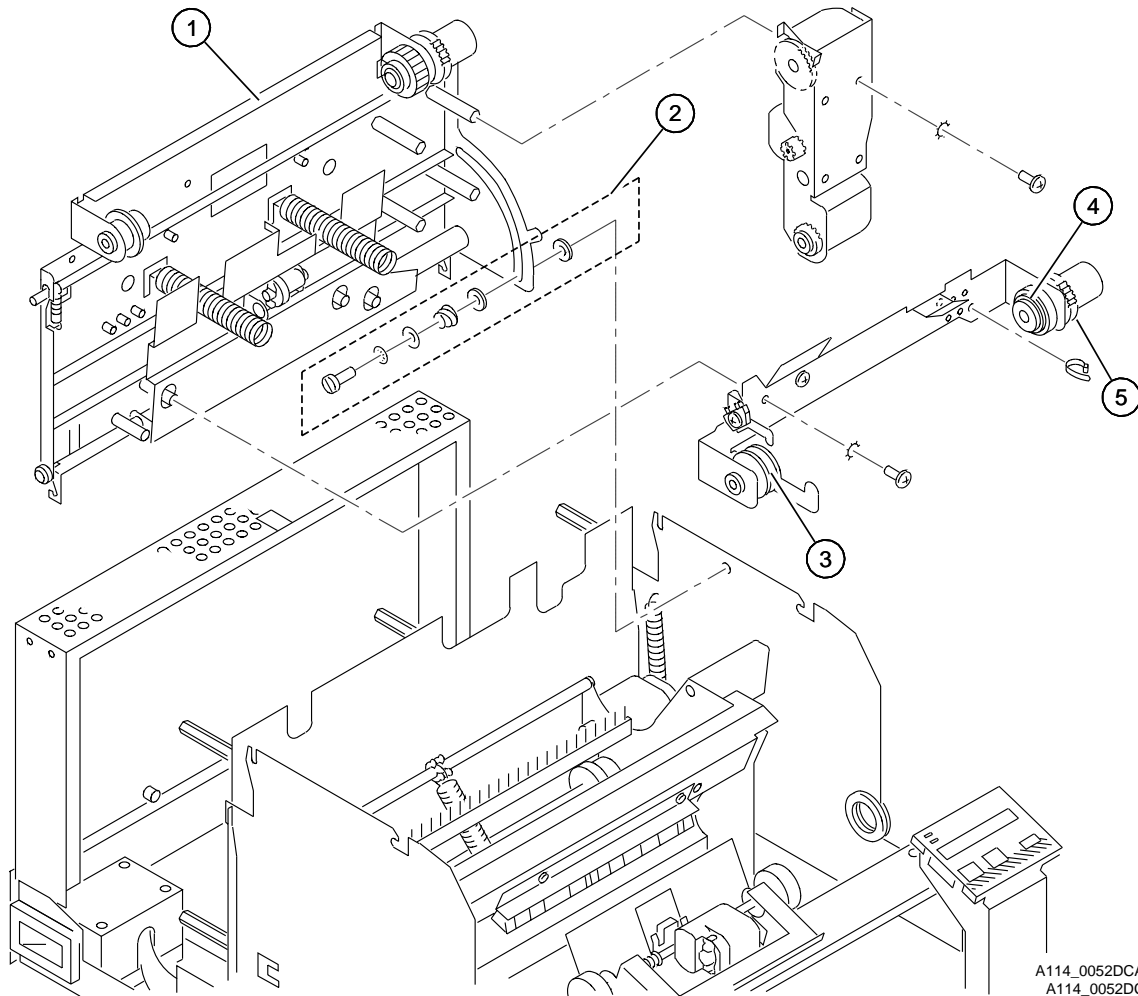
**Figure 17 DOOR INTERLOCK SWITCH**



**Figure 17**

Item	Part No.	Description	Qty.
1	988367	DOOR AY SWITCH KIT - EI 8651 - includes CABLE, 2 SCREWS, SWITCH, and SWITCH PLATE	1
1	2H2693	DOOR AY SWITCH KIT - PS4 and 8670 - includes CABLE, 2 SCREWS, SWITCH, and SWITCH PLATE	1

Figure 18 DOOR AY



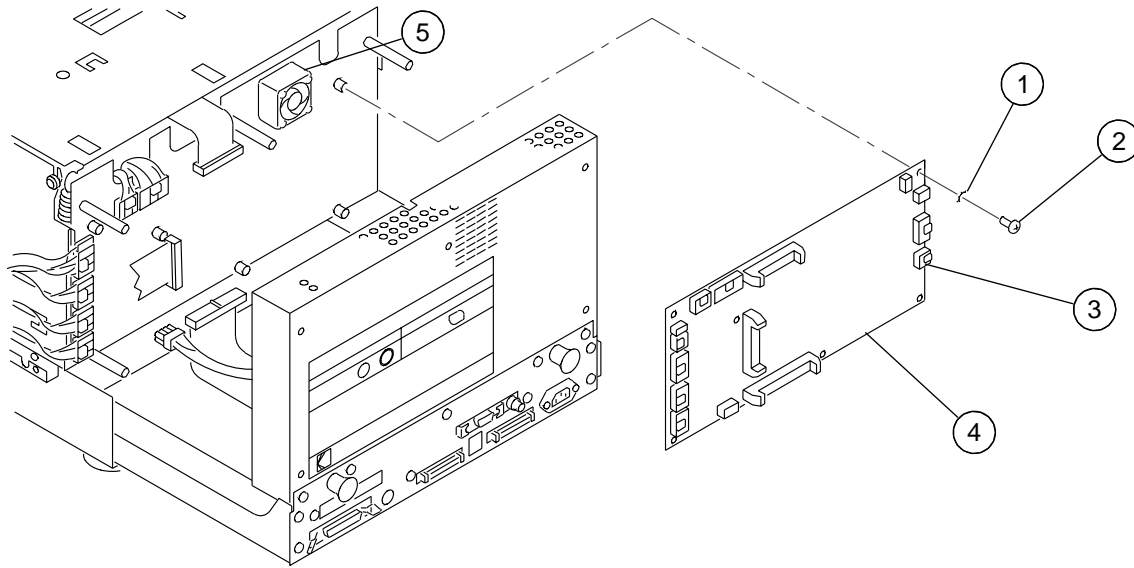
A114\_0052DCA  
A114\_0052DC

Figure 18

Item	Part No.	Description	Qty.
1	4B0406	DOOR AY - EI 8651 - includes the MOTOR BRACKET AY, SUPPLY BRACKET AY, TAKE-UP SPINDLE AYs, DOOR LATCH SHAFT AY, and THERMAL HEAD LIFT SHAFT SENSOR*	1
1	3B1619	DOOR AY - PS4 and 8670 - includes the MOTOR BRACKET AY, SUPPLY BRACKET AY, TAKE-UP SPINDLE AYs, DOOR LATCH SHAFT AY, and THERMAL HEAD LIFT SHAFT SENSOR*	1
2	988369	DOOR BRAKE KIT - includes DOOR BRAKE, SPRING, SEMS SCREW, and WASHER	1
3	988370	DONOR SUPPLY SPINDLE AY - includes the DONOR SUPPLY SPINDLE, SPRING, SCREW, and WASHER	1
4	4B1462	SUPPLY SPINDLE AY KIT - includes DRIVE SIDE SPINDLE, 2 WASHERS, and 2 SCREWS	1
5	4B0849	SUPPLY CLUTCH - not visible in graphic	1

\* Return part.

Figure 19 CONTROLLER BD



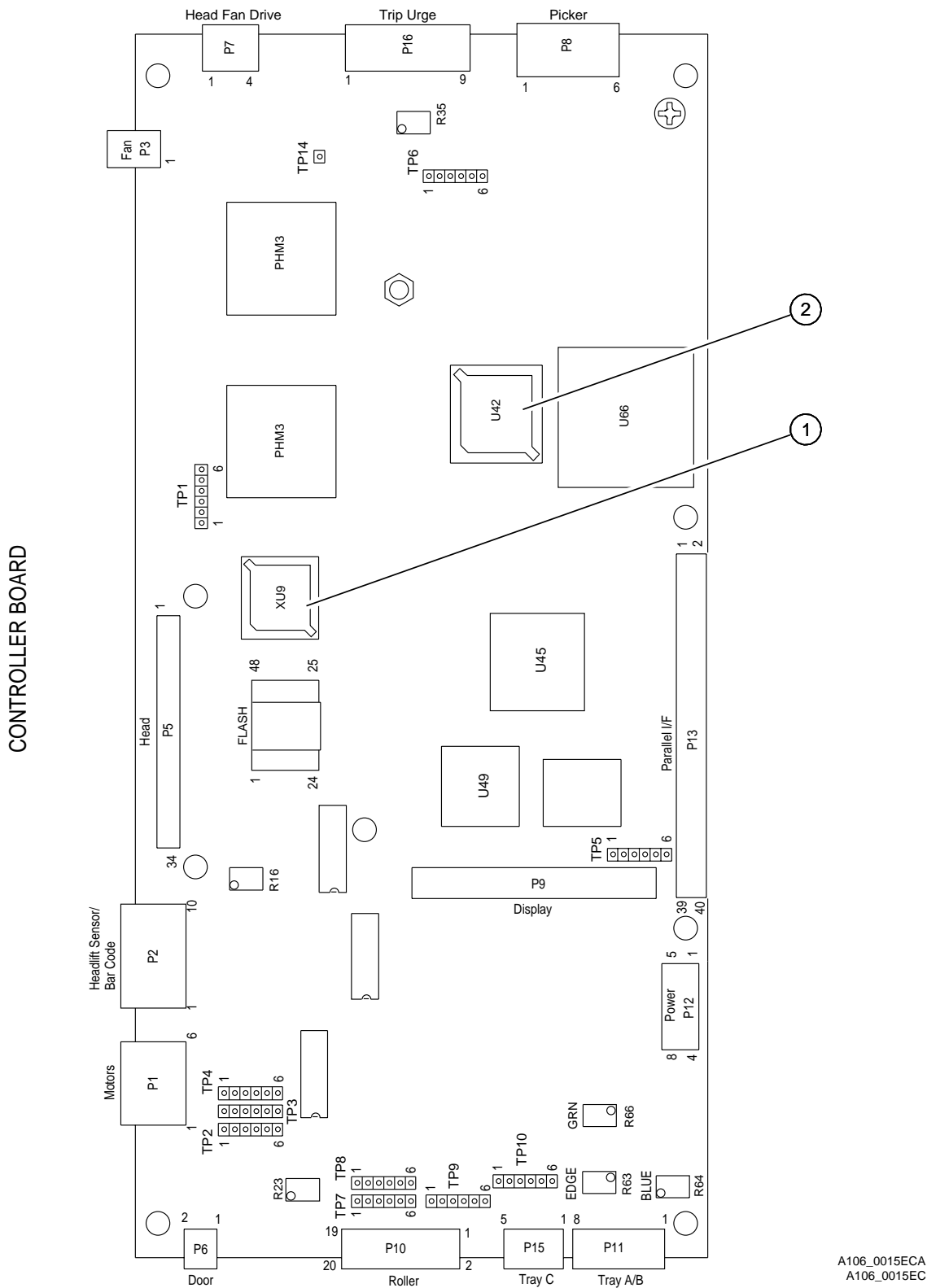
A106\_0038BCA  
A106\_0038BC

Figure 19

Item	Part No.	Description	Qty.
1	042874	WASHER	1
2	6C1774	Torx SCREW	8
3	988245	STANDOFF - BD	1
4	2H3435	CONTROLLER BD* - PS4 and 8670	1
4	2H2699	CONTROLLER BD* - EI 8651	1
5	5B4020	FAN AY	1

\* Return part.

**Figure 20 CONTROLLER BD/EPROMS - PS4 and 8670**



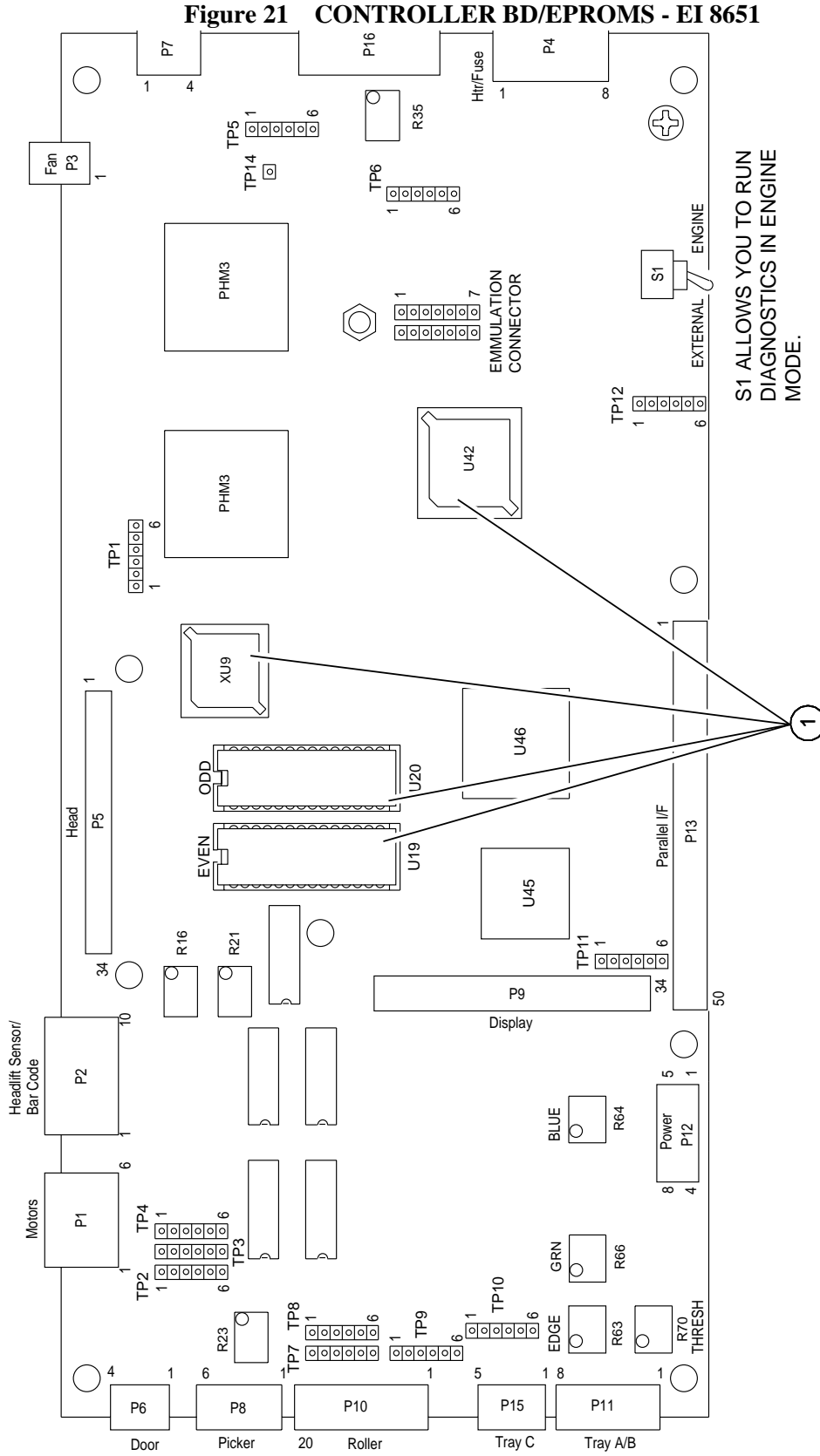
A106\_0015ECA  
A106\_0015EC

**Figure 20**

Item	Part No.	Description	Qty.
1	7C4453	U9 EEPROM	1
2	7C4456	U42 DSP EPROM	1



CONTROLLER BOARD



S1 ALLOWS YOU TO RUN  
DIAGNOSTICS IN ENGINE  
MODE.

A087\_2004ECA  
A087\_2004EC

Figure 21

Item	Part No.	Description	Qty.
1	2H3173	EPROM KIT - U9, U42, U19, and U20	1

Figure 22 THERMAL HEAD POWER CABLE

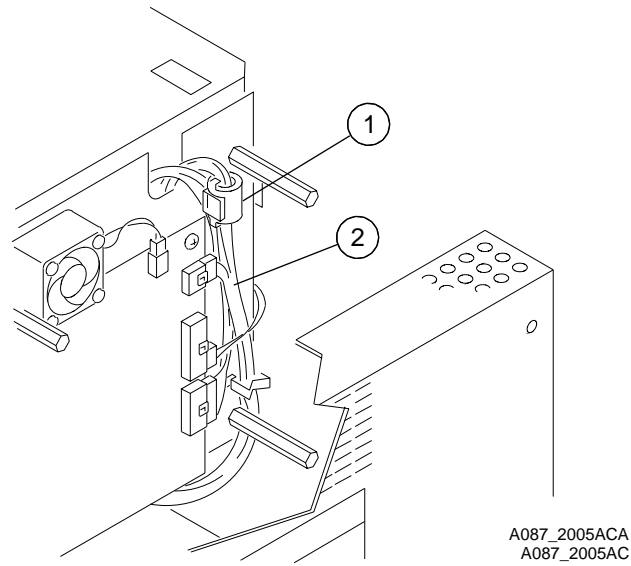
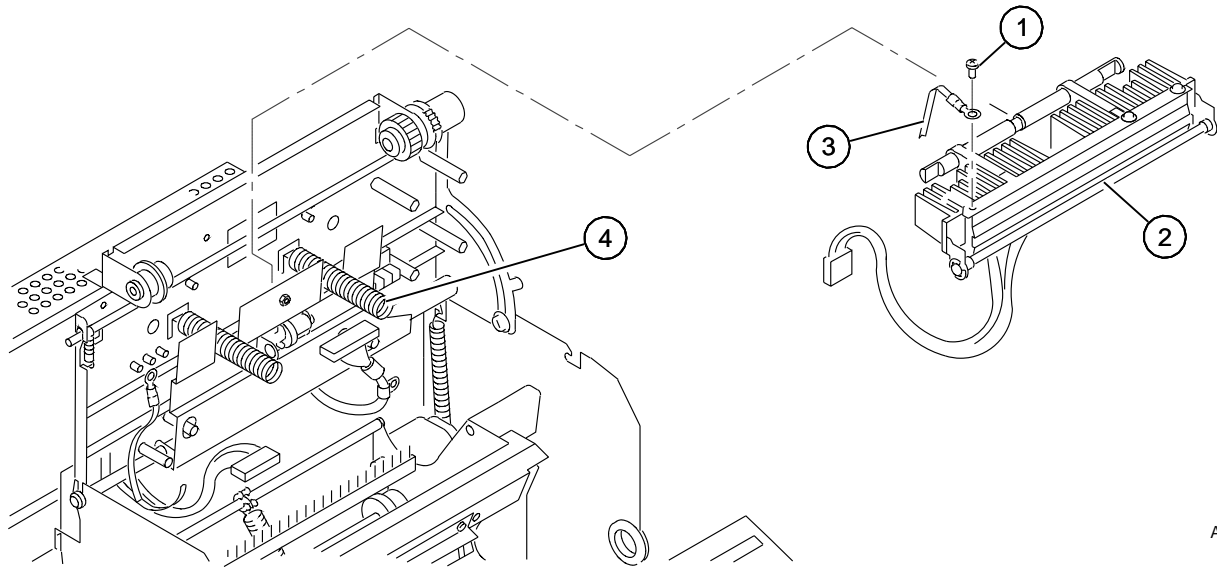


Figure 22

Item	Part No.	Description	Qty.
1	4B0247	THERMAL HEAD POWER CABLE	1
2	952085	FERRITE BEAD - SPLIT	1
3	988531	EMI GROUND CLIP - not visible in graphic	1

**Figure 23 THERMAL HEAD**



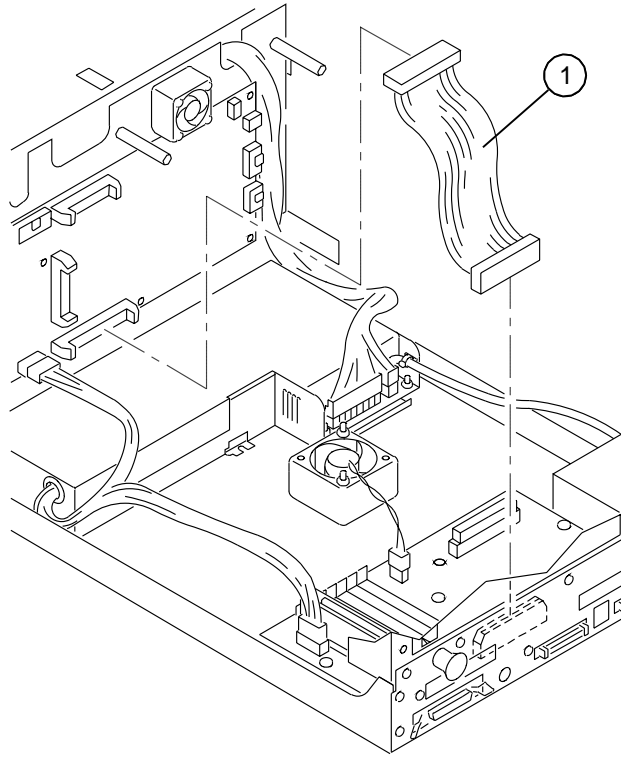
A114\_0051BCA  
A114\_0051BC

**Figure 23**

Item	Part No.	Description	Qty.
1	173599	Phillips HEAD SCREW	1
2	7C4085	THERMAL HEAD* - 8670 and EI 8651	1
2	7C4090	THERMAL HEAD* - PS4	1
3	988352	GROUND STRAP	1
4	941391	THERMAL HEAD LOAD SPRING	2

\* Return part.

Figure 24 INTERFACE CABLE

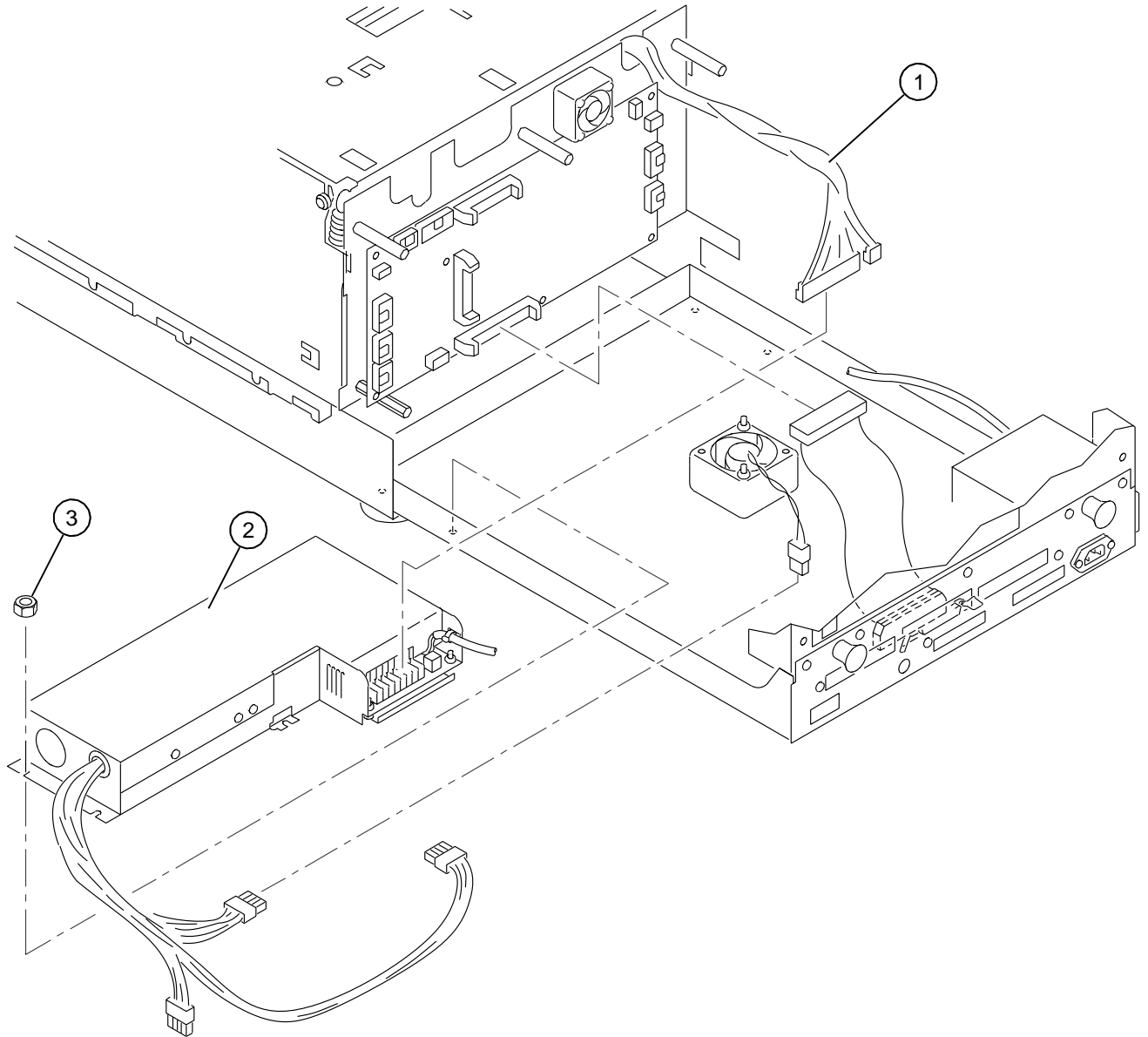


A106\_0030GCA  
A106\_0030GC

Figure 24

Item	Part No.	Description	Qty.	Notes
1	8B9565	BACK PLATE with INTERFACE CABLE - PS4	2	CABLE is fastened to the BACK PLATE.
1	7C4066	1284 INTERFACE CABLE - 8670	1	
1	989029	FEE CABLE - EI 8651	1	

Figure 25 POWER SUPPLY



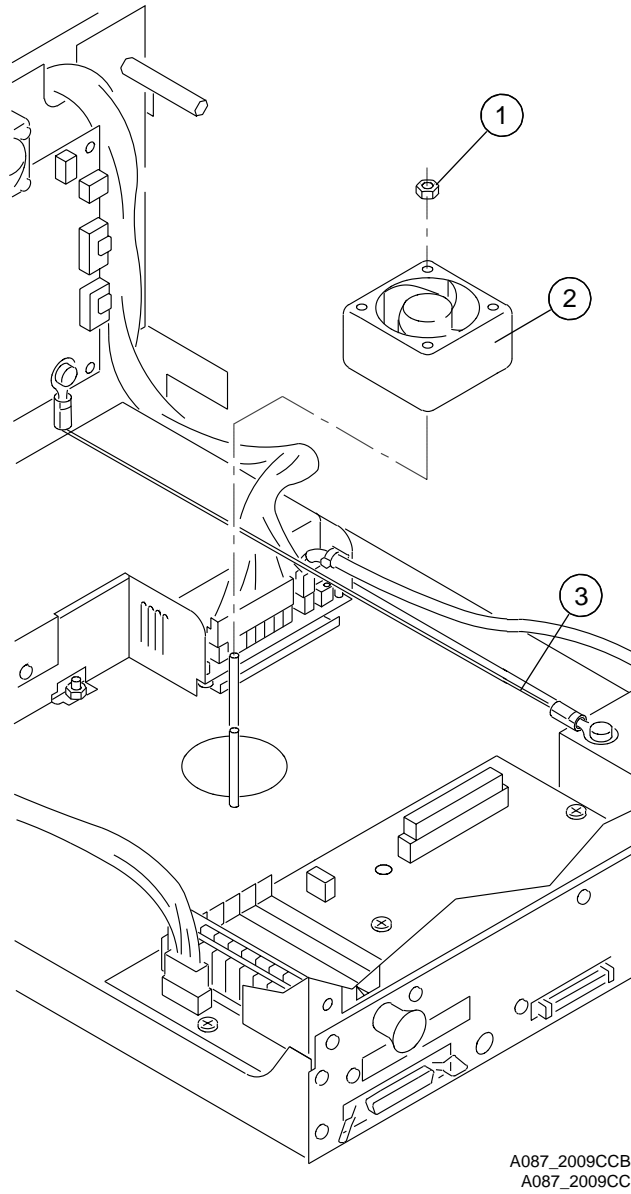
A114\_0050DCA  
A114\_0050DC

Figure 25

Item	Part No.	Description	Qty.
1	4B0247	THERMAL HEAD POWER CABLE	1
2	2H3338	POWER SUPPLY*	1
3	609904	NUT	7

\* Return part.

Figure 26 DRAWER FAN

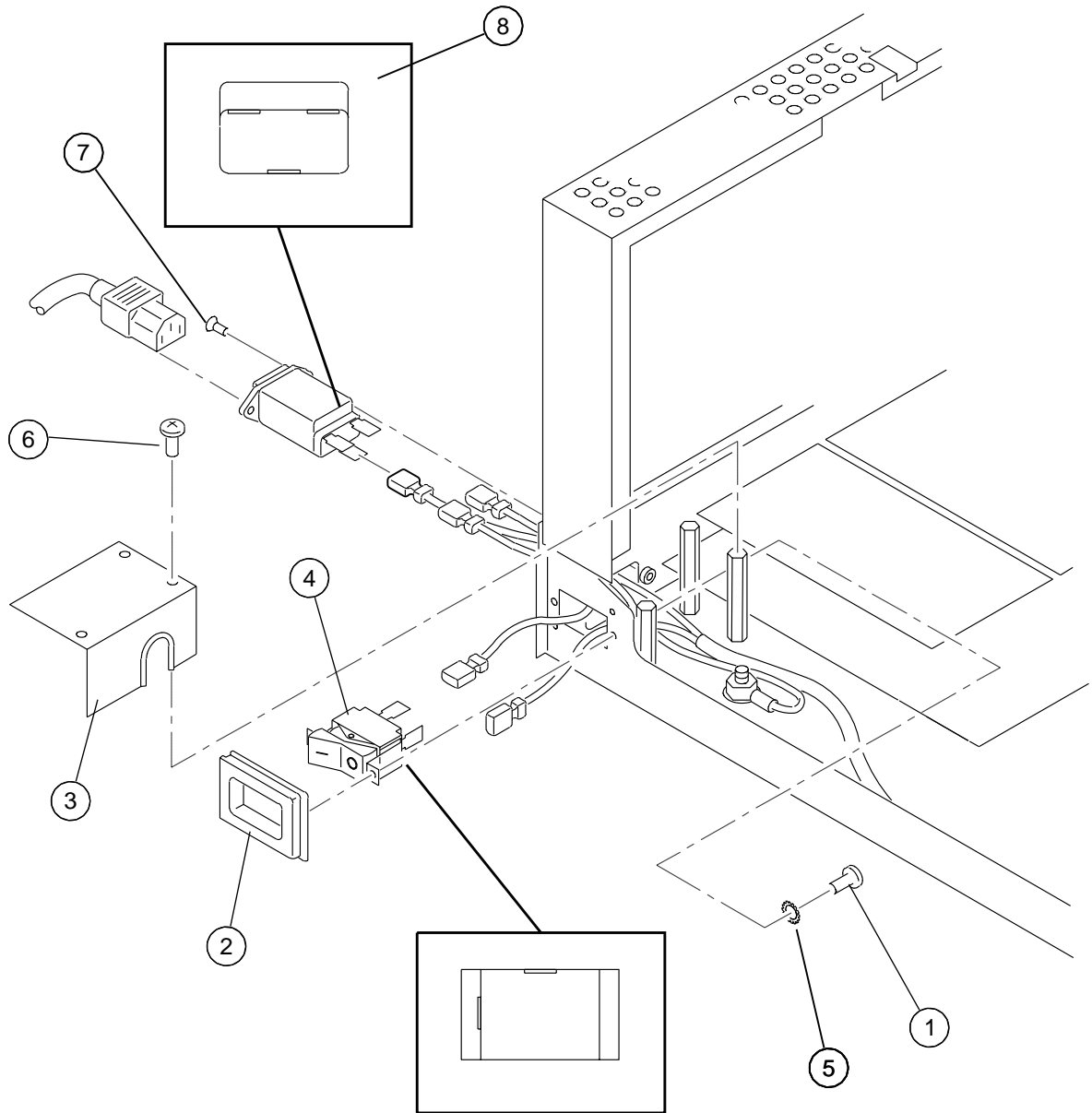


A087\_2009CCB  
A087\_2009CC

Figure 26

Item	Part No.	Description	Qty.
1	609904	NUT	2
2	5B5293	DRAWER FAN	1
3	3B0208	DRAWER STRAP	1

Figure 27 POWER SWITCH and PLUG

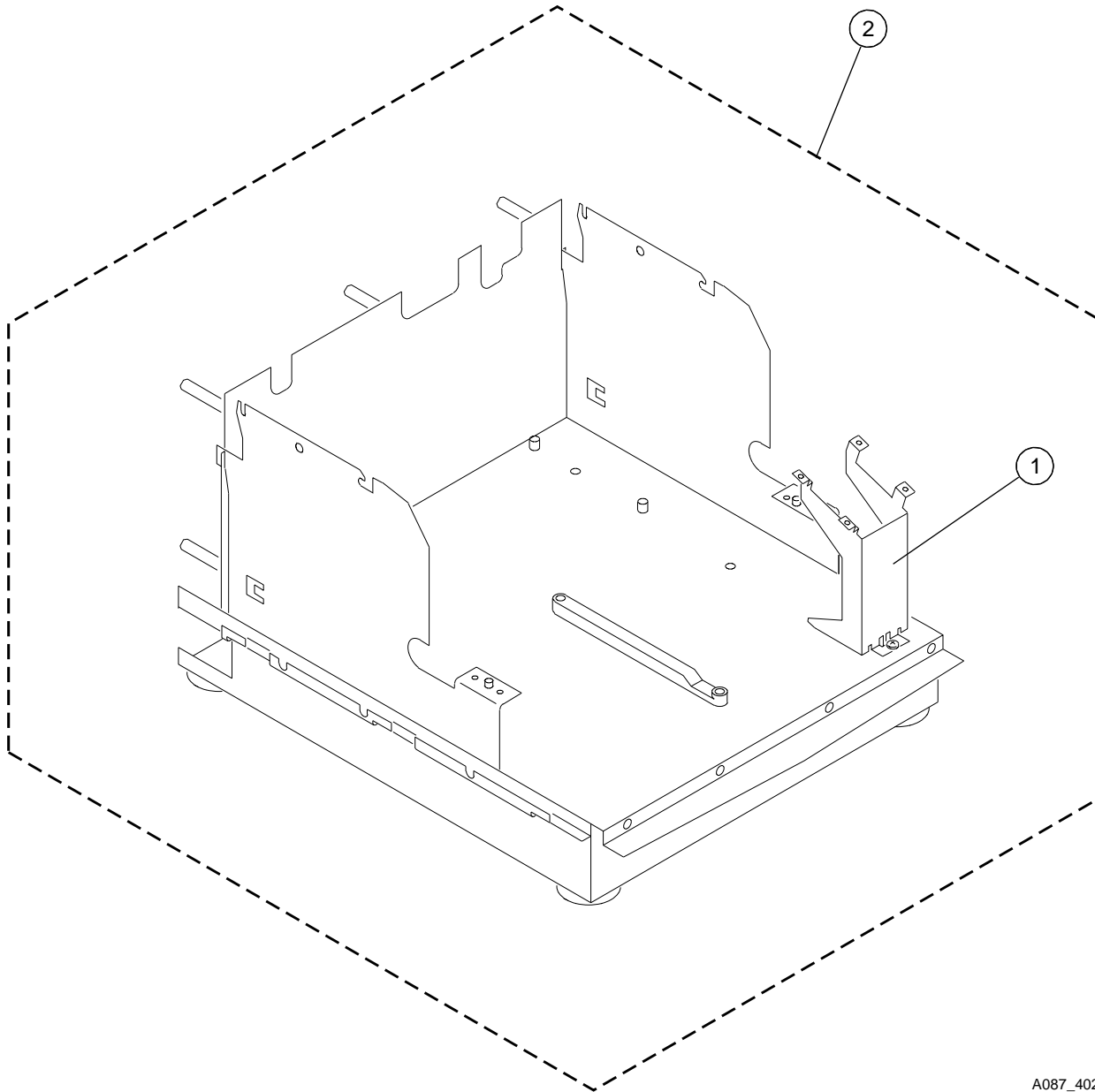


A106\_0033DCB  
A106\_0033DC

Figure 27

Item	Part No.	Description	Qty.
1	6C1647	Torx SCREW	2
2	941306	POWER SWITCH BEZEL	1
3	941366	SAFETY COVER	1
4	941304	POWER SWITCH	1
5	042874	WASHER	2
6	447110	Torx SCREW	3
7	190598	Allen HEAD SCREW	2
8	4B0985	LINE/FILTER PLUG	1

Figure 28 BASE ENCLOSURE AY



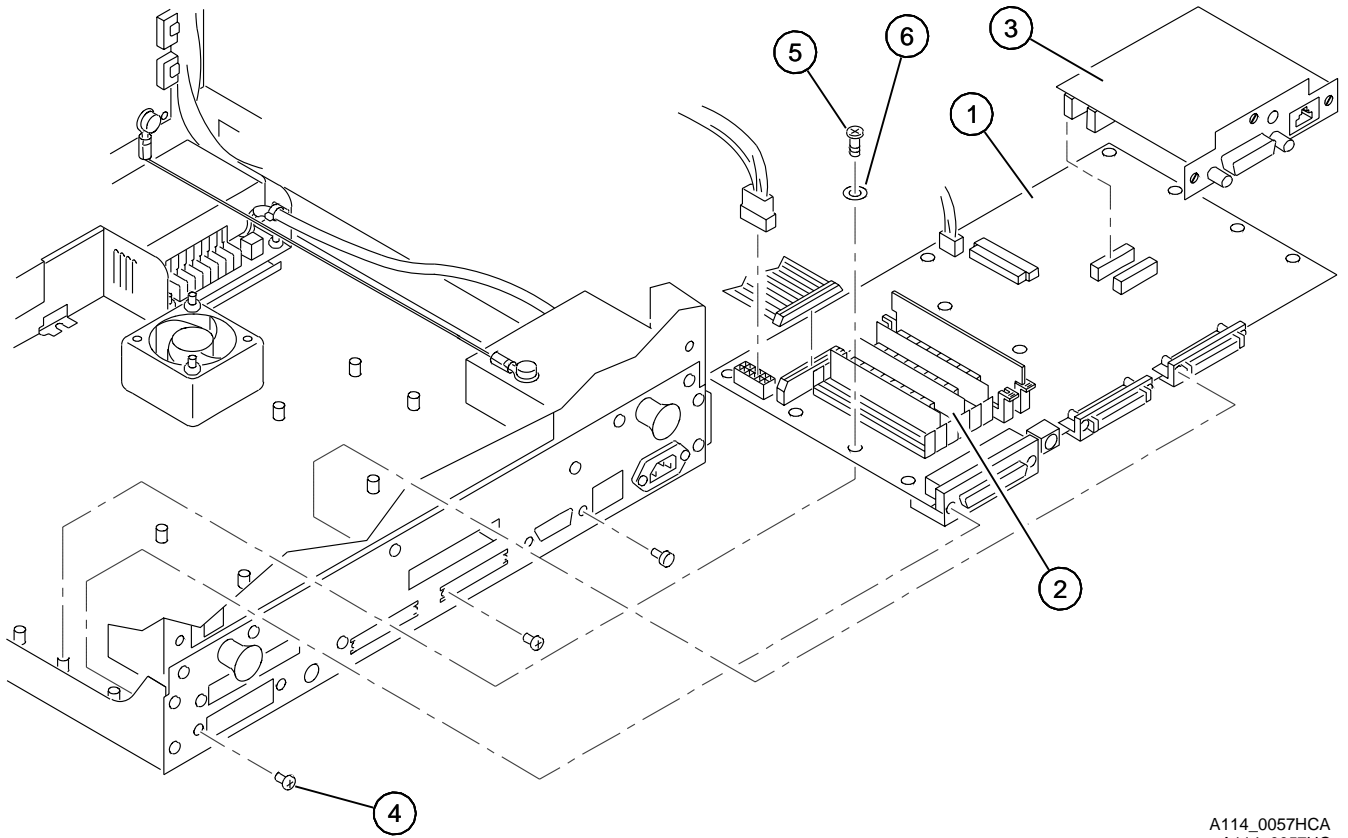
A087\_4023DCA  
A087\_4023DC

Figure 28

Item	Part No.	Description	Qty.
1	3B1254	LCD DISPLAY PANEL BRACKET	1
2	8B9742	BASE ENCLOSURE AY	1



Figure 29 FEE 4640 BD

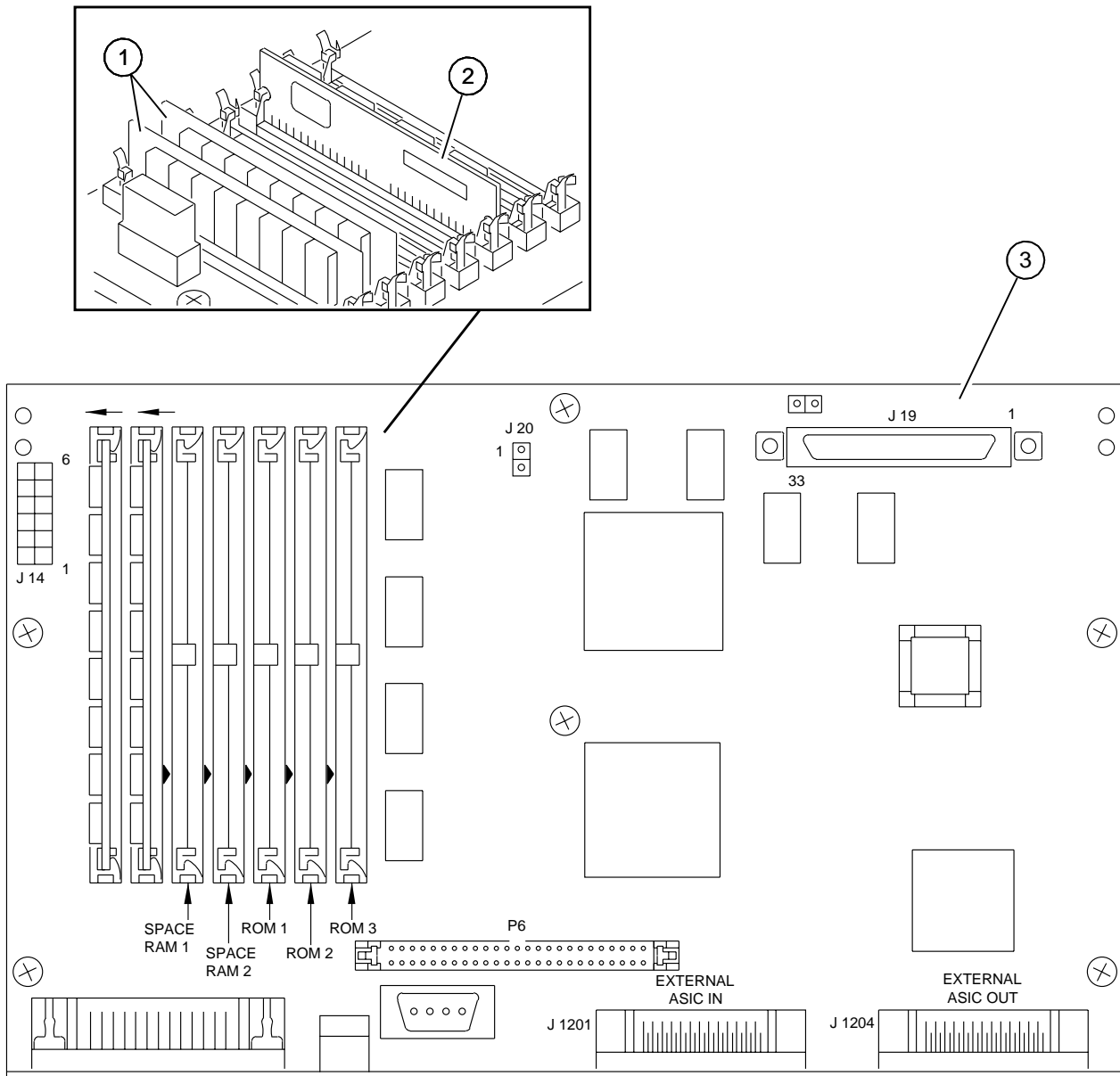


A114\_0057HCA  
A114\_0057HC

Figure 29

Item	Part No.	Description	Qty.
1	2H2698	FEE 4640 BD with FLASH ROM SIMM	1
2	6C4831	MEMORY SIMM	3
3	2H2475	NETWORK INTERFACE CARD	1
4	3C0666	<i>Torx</i> SCREW	6
5	6C1647	<i>Torx</i> SCREW	11
6	042874	WASHER	11

Figure 30 FEE BD/PRO K B BD



A087\_5001DCA  
A087\_5001DC

Figure 30

Item	Part No.	Description	Qty.
1	6C4831	MEMORY SIMM	2
2	7C4400	ROM SIMM	1
3	4B1035	FEE BD/PRO K B BD	1
	6C1647	Torx SCREW - not visible in graphic	8
	042874	WASHER - not visible in graphic	8

## Section 2: Numerical Index

### Numerical Index

Part No.	Description	Figure No.
042874	WASHER	10, 19, 27, 29
042874	WASHER - not visible in graphic	30
149878	E-RING	14
166667	SCREW	6
173599	Phillips HEAD SCREW	1, 6, 23
190598	Allen HEAD SCREW	27
251526	SCREW	1
253099	SHAFT SPRING	16
258878	GROMMET	2
2H2475	NETWORK INTERFACE CARD	29
2H2651	DATAPLATE - 8670	9
2H2652	NAMEPLATE LABEL - 8670	1
2H2660	A4, 8.27 IN. ADJUSTABLE TRAY - 8670 and EI 8651	1
2H2668	DATAPLATE - EI 8651	9
2H2669	NAMEPLATE LABEL - EI 8651	1
2H2679	9.5 x 14 IN. TRAY - 8670 and EI 8651	1
2H2680	A, 8.5 IN. ADJUSTABLE TRAY - 8670 and EI 8651	1
2H2687	PICKER AY - EI 8651	2
2H2691	DONOR SUPPLY BRACKET - PS4 and 8670 - includes SUPPLY SPINDLE AY and HARDWARE, DONOR SUPPLY CLUTCH SPINDLE AY and HARDWARE, THERMAL HEAD DATA CABLE, THERMAL HEAD DATA CABLE BRACKET, BAR CODE SENSOR and BD*	12
2H2693	DOOR AY SWITCH KIT - PS4 and 8670 - includes CABLE, 2 SCREWS, SWITCH, and SWITCH PLATE	17
2H2698	FEE 4640 BD with FLASH ROM SIMM	29
2H2699	CONTROLLER BD* - EI 8651	19
2H3173	EPROM KIT - U9, U42, U19, and U20	21
2H3304	DONOR SUPPLY BRACKET - EI 8651 - includes SUPPLY SPINDLE AY and HARDWARE, DONOR SUPPLY CLUTCH SPINDLE AY and HARDWARE, THERMAL HEAD DATA CABLE, THERMAL HEAD DATA CABLE BRACKET, BAR CODE SENSOR and BD*	12
2H3338	POWER SUPPLY*	25
2H3435	CONTROLLER BD* - PS4 and 8670	19
3B0055	DOOR COVER*	1
3B0200	PINCH MOTOR GEAR	7
3B0208	DRAWER STRAP	26
3B0212	THERMAL HEAD LIFT SHAFT BUSHING	14
3B0249	CAM WASHER	14
3B0273	TRAY TYPE SENSOR AY KIT - includes SCREW, TRAY SENSOR MOUNT, SPACER, TRAY TYPE SENSOR, and HARNESS	4
3B0299	THERMAL HEAD LIFT SENSOR CABLE	15
3B0466	CONTROLLER ENCLOSURE AND DRAWER AY	9
3B0707	DOOR LATCH	1
3B0726	MOTOR BRACKET AY*	11

## Numerical Index

Part No.	Description	Figure No.
3B1254	LCD DISPLAY PANEL BRACKET	10, 28
3B1619	DOOR AY - PS4 and 8670 - includes the MOTOR BRACKET AY, SUPPLY BRACKET AY, TAKE-UP SPINDLE AYs, DOOR LATCH SHAFT AY, and THERMAL HEAD LIFT SHAFT SENSOR*	18
3C0666	Torx SCREW	29
3C0672	Torx SCREW	15
447110	Torx SCREW	27
4B0230	THERMAL HEAD LIFT SHAFT AY	14
4B0243	DONOR SENSOR BRACKET	6
4B0247	THERMAL HEAD POWER CABLE	22, 25
4B0262	DISPLAY COVER - PS4	1
4B0406	DOOR AY - EI 8651 - includes the MOTOR BRACKET AY, SUPPLY BRACKET AY, TAKE-UP SPINDLE AYs, DOOR LATCH SHAFT AY, and THERMAL HEAD LIFT SHAFT SENSOR*	18
4B0713	TAKE-UP CLUTCH KIT - includes the TAKE-UP SPINDLE, SCREW, and CLUTCH	14
4B0849	SUPPLY CLUTCH - not visible in graphic	18
4B0985	LINE/FILTER PLUG	27
4B1035	FEE BD/PRO K B BD	30
4B1344	THERMAL HEAD DATA CABLE - EI 8651	12
4B1462	SUPPLY SPINDLE AY KIT - includes DRIVE SIDE SPINDLE, 2 WASHERS, and 2 SCREWS	18
5B4020	FAN AY	19
5B4692	POLYESTER NIGHTTIME COVER - not visible in graphic	1
5B4693	EXIT TRAY COVER- not visible in graphic	1
5B5293	DRAWER FAN	26
5B5457	ENCASEMENT	1
5B5721	PICKER SUPPORT	2
5B5910	PICKER WHEEL CLEANING KIT- not visible in graphic	2
609904	NUT	10, 13, 25, 26
6C1647	Torx SCREW	27, 29
6C1647	Torx SCREW - not visible in graphic	30
6C1774	Torx SCREW	10, 19
6C1862	NAMEPLATE LABEL - PS4	1
6C1863	DATAPLATE - PS4	9
6C1865	ROLLER AY with GEAR GUARD*	5
6C1866	PICKER AY - PS4 and 8670	2
6C1911	Torx SCREW	11, 12
6C1912	Torx SCREW	3, 5
6C1913	Torx SCREW	9
6C1943	Torx SCREW	2
6C1949	PINCH MOTOR	7
6C4831	MEMORY SIMM	29, 30
719486	CORPORATE SYMBOL	1
794221	E-RING - not visible in graphic	16
7C3759	BLUE/GREEN LED BD	13

## Numerical Index

Part No.	Description	Figure No.
7C3762	FAN BRACKET AY - includes 4 FANS, DONOR EMITTER BD, and THERMAL HEAD RAMP BRACKET*	13
7C4066	1284 INTERFACE CABLE - 8670	24
7C4067	THERMAL HEAD DATA CABLE - PS4 and 8670	12
7C4085	THERMAL HEAD* - 8670 and EI 8651	23
7C4090	THERMAL HEAD* - PS4	23
7C4400	ROM SIMM	30
7C4453	U9 EEPROM	20
7C4456	U42 DSP EPROM	20
8B9559	8.5 IN. TRAY - PS4	1
8B9565	BACK PLATE with INTERFACE CABLE - PS4	24
8B9742	BASE ENCLOSURE AY	28
921332	FERRITE BEAD	11
941304	POWER SWITCH	27
941306	POWER SWITCH BEZEL	27
941338	PRINTER FOOT	1
941363	LCD DISPLAY PANEL*	10
941366	SAFETY COVER	27
941379	DOOR SPRING	16
941384	DOOR LATCH SHAFT AY - includes items 3 and 4	16
941391	THERMAL HEAD LOAD SPRING	23
941401	THERMAL HEAD LIFT SENSOR	15
941490	KICKER BAND	8
941502	IDLER GEAR	7
941557	CAM GEAR	7
941574	SUPPLY GEAR	11
941594	TAKE-UP GEAR	11
941617	TRAY GUIDE	3
941626	KNOB	9
951595	DRIVE GEAR	11
952085	FERRITE BEAD - SPLIT	22
961486	LEAD EDGE SENSOR BRACKET	6
988245	STANDOFF - BD	19
988346	BASE ENCASMENT SCREW	1
988352	GROUND STRAP	23
988367	DOOR AY SWITCH KIT - EI 8651 - includes CABLE, 2 SCREWS, SWITCH, and SWITCH PLATE	17
988368	TRAY TYPE SENSOR AY KIT - includes SCREW, TRAY SENSOR MOUNT, SPACER, TRAY TYPE SENSOR, and HARNESS	4
988369	DOOR BRAKE KIT - includes DOOR BRAKE, SPRING, SEMS SCREW, and WASHER	18
988370	DONOR SUPPLY SPINDLE AY - includes the DONOR SUPPLY SPINDLE, SPRING, SCREW, and WASHER	18
988371	TAKE-UP SPINDLE AY KIT - includes TAKE-UP SPINDLE, SPRING, WASHER, and SHAFT	14
988531	EMI GROUND CLIP - not visible in graphic	22

**Numerical Index**

<b>Part No.</b>	<b>Description</b>	<b>Figure No.</b>
988535	CABLE	13
988549	CAPSTAN ROLLER SHAFT	8
989029	FEE CABLE - EI 8651	24

## Section 3: Alphabetical Index

### Alphabetical Index

Part No.	Description	Figure No.
7C4066	1284 INTERFACE CABLE - 8670	24
8B9559	8.5 IN. TRAY - PS4	1
2H2679	9.5 x 14 IN. TRAY - 8670 and EI 8651	1
2H2680	A, 8.5 IN. ADJUSTABLE TRAY - 8670 and EI 8651	1
2H2660	A4, 8.27 IN. ADJUSTABLE TRAY - 8670 and EI 8651	1
190598	Allen HEAD SCREW	27
8B9565	BACK PLATE with INTERFACE CABLE - PS4	24
988346	BASE ENCASMENT SCREW	1
8B9742	BASE ENCLOSURE AY	28
7C3759	BLUE/GREEN LED BD	13
988535	CABLE	13
941557	CAM GEAR	7
3B0249	CAM WASHER	14
988549	CAPSTAN ROLLER SHAFT	8
2H2699	CONTROLLER BD* - EI 8651	19
2H3435	CONTROLLER BD* - PS4 and 8670	19
3B0466	CONTROLLER ENCLOSURE AND DRAWER AY	9
719486	CORPORATE SYMBOL	1
2H2651	DATAPLATE - 8670	9
2H2668	DATAPLATE - EI 8651	9
6C1863	DATAPLATE - PS4	9
4B0262	DISPLAY COVER - PS4	1
4B0243	DONOR SENSOR BRACKET	6
2H3304	DONOR SUPPLY BRACKET - EI 8651 - includes SU	12
2H2691	DONOR SUPPLY BRACKET - PS4 and 8670 - i	12
988370	DONOR SUPPLY SPINDLE AY - includes the DONOR SUPPLY SPINDLE, SPRING, SCREW, and WASHER	18
4B0406	DOOR AY - EI 8651 - includes the MOTOR BRACKET AY, SUPPLY BRACKET AY, TAKE-UP SPINDLE AYs, DOOR L	18
3B1619	DOOR AY - PS4 and 8670 - includes the MOTOR BRACKET AY, SUPPLY BRACKET AY, TAKE-UP SPINDLE A	18
988367	DOOR AY SWITCH KIT - EI 8651 - includes CABLE, 2 SCREWS, SWITCH, and SWITCH PLATE	17
2H2693	DOOR AY SWITCH KIT - PS4 and 8670 - includes CABLE, 2 SCREWS, SWITCH, and SWITCH PLATE	17
988369	DOOR BRAKE KIT - includes DOOR BRAKE, SPRING, SEMS SCREW, and WASHER	18
3B0055	DOOR COVER*	1
941384	DOOR LATCH SHAFT AY - includes items 3 and 4	16
3B0707	DOOR LATCH	1
941379	DOOR SPRING	16
5B5293	DRAWER FAN	26
3B0208	DRAWER STRAP	26

## Alphabetical Index

Part No.	Description	Figure No.
951595	DRIVE GEAR	11
988531	EMI GROUND CLIP - not visible in graphic	22
5B5457	ENCASEMENT	1
2H3173	EPROM KIT - U9, U42, U19, and U20	21
794221	E-RING - not visible in graphic	16
149878	E-RING	14
5B4693	EXIT TRAY COVER- not visible in graphic	1
5B4020	FAN AY	19
7C3762	FAN BRACKET AY - includes 4 FANS, DONOR EMITTER BD, and THERMAL HEAD RAMP BRACKET*	13
2H2698	FEE 4640 BD with FLASH ROM SIMM	29
4B1035	FEE BD/PRO K B BD	30
989029	FEE CABLE - EI 8651	24
952085	FERRITE BEAD - SPLIT	22
921332	FERRITE BEAD	11
258878	GROMMET	2
988352	GROUND STRAP	23
941502	IDLER GEAR	7
941490	KICKER BAND	8
941626	KNOB	9
3B1254	LCD DISPLAY PANEL BRACKET	10, 28
941363	LCD DISPLAY PANEL*	10
961486	LEAD EDGE SENSOR BRACKET	6
4B0985	LINE/FILTER PLUG	27
6C4831	MEMORY SIMM	29, 30
3B0726	MOTOR BRACKET AY*	11
2H2652	NAMEPLATE LABEL - 8670	1
2H2669	NAMEPLATE LABEL - EI 8651	1
6C1862	NAMEPLATE LABEL - PS4	1
2H2475	NETWORK INTERFACE CARD	29
609904	NUT	10, 13, 25, 26
173599	Phillips HEAD SCREW	1,6, 23
2H2687	PICKER AY - EI 8651	2
6C1866	PICKER AY - PS4 and 8670	2
5B5721	PICKER SUPPORT	2
5B5910	PICKER WHEEL CLEANING KIT- not visible in graphic	2
3B0200	PINCH MOTOR GEAR	7
6C1949	PINCH MOTOR	7
5B4692	POLYESTER NIGHTTIME COVER - not visible in graphic	1
2H3338	POWER SUPPLY*	25
941306	POWER SWITCH BEZEL	27
941304	POWER SWITCH	27
941338	PRINTER FOOT	1
6C1865	ROLLER AY with GEAR GUARD*	5
7C4400	ROM SIMM	30



Alphabetical Index

Part No.	Description	Figure No.
941366	SAFETY COVER	27
166667	SCREW	6
251526	SCREW	1
253099	SHAFT SPRING	16
988245	STANDOFF - BD	19
4B0849	SUPPLY CLUTCH - not visible in graphic	18
941574	SUPPLY GEAR	11
4B1462	SUPPLY SPINDLE AY KIT - includes DRIVE SIDE SPINDLE, 2 WASHERS, and 2 SCREWS	18
4B0713	TAKE-UP CLUTCH KIT - includes the TAKE-UP SPINDLE, SCREW, and CLUTCH	14
941594	TAKE-UP GEAR	11
988371	TAKE-UP SPINDLE AY KIT - includes TAKE-UP SPINDLE, SPRING, WASHER, and SHAFT	14
4B1344	THERMAL HEAD DATA CABLE - EI 8651	12
7C4067	THERMAL HEAD DATA CABLE - PS4 and 8670	12
3B0299	THERMAL HEAD LIFT SENSOR CABLE	15
941401	THERMAL HEAD LIFT SENSOR	15
4B0230	THERMAL HEAD LIFT SHAFT AY	14
3B0212	THERMAL HEAD LIFT SHAFT BUSHING	14
941391	THERMAL HEAD LOAD SPRING	23
4B0247	THERMAL HEAD POWER CABLE	22, 25
7C4085	THERMAL HEAD* - 8670 and EI 8651	23
7C4090	THERMAL HEAD* - PS4	23
6C1647	Torx SCREW - not visible in graphic	30
3C0666	Torx SCREW	29
3C0672	Torx SCREW	15
447110	Torx SCREW	27
6C1647	Torx SCREW	27, 29
6C1774	Torx SCREW	10, 19
6C1911	Torx SCREW	11, 12
6C1912	Torx SCREW	3, 5
6C1913	Torx SCREW	9
6C1943	Torx SCREW	2
941617	TRAY GUIDE	3
3B0273	TRAY TYPE SENSOR AY KIT - includes SCREW, TRAY SENSOR MOUNT, SPACER, TRAY TYPE SENSOR, and HARNESS	4
988368	TRAY TYPE SENSOR AY KIT - includes SCREW, TRAY SENSOR MOUNT, SPACER, TRAY TYPE SENSOR, and HARNESS	4
7C4456	U42 DSP EPROM	20
7C4453	U9 EEPROM	20
042874	WASHER - not visible in graphic	30
042874	WASHER	10, 19, 27, 29

*Kodak, Image Magic, and Kodak Professional are trademarks.*

